



<https://www.fpgamall.com>

# THE DATASHEET OF FPGA



<https://www.fpgamall.com/>



# Intel<sup>®</sup> Arria<sup>®</sup> 10 Device Overview



## Contents

---

|   |          |
|---|----------|
| <b>Intel® Arria® 10 Device Overview.....</b>                      | <b>3</b> |
| Key Advantages of Intel Arria 10 Devices.....                     | 4        |
| Summary of Intel Arria 10 Features.....                           | 4        |
| Intel Arria 10 Device Variants and Packages.....                  | 7        |
| Intel Arria 10 GX.....  | 7        |
| Intel Arria 10 GT.....  | 11       |
| Intel Arria 10 SX.....  | 14       |
| I/O Vertical Migration for Intel Arria 10 Devices.....            | 17       |
| Adaptive Logic Module.....  | 17       |
| Variable-Precision DSP Block.....                                 | 18       |
| Embedded Memory Blocks.....                                       | 20       |
| Types of Embedded Memory.....                                     | 21       |
| Embedded Memory Capacity in Intel Arria 10 Devices.....           | 21       |
| Embedded Memory Configurations for Single-port Mode.....          | 22       |
| Clock Networks and PLL Clock Sources.....                         | 22       |
| Clock Networks.....   | 22       |
| Fractional Synthesis and I/O PLLs.....                            | 22       |
| FPGA General Purpose I/O.....                                     | 23       |
| External Memory Interface.....                                    | 24       |
| Memory Standards Supported by Intel Arria 10 Devices.....         | 24       |
| PCIe Gen1, Gen2, and Gen3 Hard IP.....                            | 26       |
| Enhanced PCS Hard IP for Interlaken and 10 Gbps Ethernet.....     | 26       |
| Interlaken Support.....   | 26       |
| 10 Gbps Ethernet Support.....                                     | 26       |
| Low Power Serial Transceivers.....                                | 27       |
| Transceiver Channels.....   | 28       |
| PMA Features.....   | 29       |
| PCS Features.....   | 30       |
| SoC with Hard Processor System.....                               | 32       |
| Key Advantages of 20-nm HPS.....                                  | 33       |
| Features of the HPS.....  | 35       |
| FPGA Configuration and HPS Booting.....                           | 37       |
| Hardware and Software Development.....                            | 37       |
| Dynamic and Partial Reconfiguration.....                          | 37       |
| Dynamic Reconfiguration.....                                      | 37       |
| Partial Reconfiguration.....                                      | 37       |
| Enhanced Configuration and Configuration via Protocol.....        | 38       |
| SEU Error Detection and Correction.....                           | 39       |
| Power Management.....   | 40       |
| Incremental Compilation.....                                      | 40       |
| Document Revision History for Intel Arria 10 Device Overview..... | 40       |



## Intel® Arria® 10 Device Overview

The Intel® Arria® 10 device family consists of high-performance and power-efficient 20 nm mid-range FPGAs and SoCs.

Intel Arria 10 device family delivers:

- Higher performance than the previous generation of mid-range and high-end FPGAs.
- Power efficiency attained through a comprehensive set of power-saving technologies.

The Intel Arria 10 devices are ideal for high performance, power-sensitive, midrange applications in diverse markets.

**Table 1. Sample Markets and Ideal Applications for Intel Arria 10 Devices**

| Market                | Applications  |
|-----------------------|---|
| Wireless              | <ul style="list-style-type: none"> <li>• Channel and switch cards in remote radio heads</li> <li>• Mobile backhaul</li> </ul>   |
| Wireline              | <ul style="list-style-type: none"> <li>• 40G/100G muxponders and transponders</li> <li>• 100G line cards</li> <li>• Bridging</li> <li>• Aggregation</li> </ul>            |
| Broadcast             | <ul style="list-style-type: none"> <li>• Studio switches</li> <li>• Servers and transport</li> <li>• Videoconferencing</li> <li>• Professional audio and video</li> </ul> |
| Computing and Storage | <ul style="list-style-type: none"> <li>• Flash cache</li> <li>• Cloud computing servers</li> <li>• Server acceleration</li> </ul>   |
| Medical               | <ul style="list-style-type: none"> <li>• Diagnostic scanners</li> <li>• Diagnostic imaging</li> </ul>   |
| Military              | <ul style="list-style-type: none"> <li>• Missile guidance and control</li> <li>• Radar</li> <li>• Electronic warfare</li> <li>• Secure communications</li> </ul>          |

### Related Information

- [Intel Arria 10 Device Handbook: Known Issues](#)  
Lists the planned updates to the *Intel Arria 10 Device Handbook* chapters.
- [Intel Arria 10 GX/GT Device Errata and Design Recommendations](#)
- [Intel Arria 10 SX Device Errata and Design Recommendations](#)

Intel Corporation. All rights reserved. Intel, the Intel logo, Altera, Arria, Cyclone, Enpirion, MAX, Nios, Quartus and Stratix words and logos are trademarks of Intel Corporation or its subsidiaries in the U.S. and/or other countries. Intel warrants performance of its FPGA and semiconductor products to current specifications in accordance with Intel's standard warranty, but reserves the right to make changes to any products and services at any time without notice. Intel assumes no responsibility or liability arising out of the application or use of any information, product, or service described herein except as expressly agreed to in writing by Intel. Intel customers are advised to obtain the latest version of device specifications before relying on any published information and before placing orders for products or services.

\*Other names and brands may be claimed as the property of others.

ISO  
9001:2015  
Registered



## Key Advantages of Intel Arria 10 Devices

**Table 2. Key Advantages of the Intel Arria 10 Device Family**

| Advantage  | Supporting Feature   |
|--|--|
| Enhanced core architecture   | <ul style="list-style-type: none"> <li>Built on TSMC's 20 nm process technology</li> <li>60% higher performance than the previous generation of mid-range FPGAs</li> <li>15% higher performance than the fastest previous-generation FPGA</li> </ul>   |
| High-bandwidth integrated transceivers   | <ul style="list-style-type: none"> <li>Short-reach rates up to 25.8 Gigabits per second (Gbps)</li> <li>Backplane capability up to 12.5 Gbps</li> <li>Integrated 10GBASE-KR and 40GBASE-KR4 Forward Error Correction (FEC)</li> </ul>  |
| Improved logic integration and hard IP blocks  | <ul style="list-style-type: none"> <li>8-input adaptive logic module (ALM)</li> <li>Up to 65.6 megabits (Mb) of embedded memory</li> <li>Variable-precision digital signal processing (DSP) blocks</li> <li>Fractional synthesis phase-locked loops (PLLs)</li> <li>Hard PCI Express Gen3 IP blocks</li> <li>Hard memory controllers and PHY up to 2,400 Megabits per second (Mbps)</li> </ul> |
| Second generation hard processor system (HPS) with integrated ARM* Cortex*-A9* MPCore* processor | <ul style="list-style-type: none"> <li>Tight integration of a dual-core ARM Cortex-A9 MPCore processor, hard IP, and an FPGA in a single Intel Arria 10 system-on-a-chip (SoC)</li> <li>Supports over 128 Gbps peak bandwidth with integrated data coherency between the processor and the FPGA fabric</li> </ul>  |
| Advanced power savings   | <ul style="list-style-type: none"> <li>Comprehensive set of advanced power saving features</li> <li>Power-optimized MultiTrack routing and core architecture</li> <li>Up to 40% lower power compared to previous generation of mid-range FPGAs</li> <li>Up to 60% lower power compared to previous generation of high-end FPGAs</li> </ul>   |

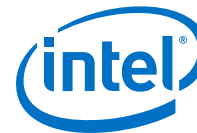
## Summary of Intel Arria 10 Features

**Table 3. Summary of Features for Intel Arria 10 Devices**

| Feature                      | Description   |
|------------------------------|---|
| Technology                   | <ul style="list-style-type: none"> <li>TSMC's 20-nm SoC process technology</li> <li>Allows operation at a lower <math>V_{CC}</math> level of 0.82 V instead of the 0.9 V standard <math>V_{CC}</math> core voltage</li> </ul>   |
| Packaging                    | <ul style="list-style-type: none"> <li>1.0 mm ball-pitch FINELINE BGA packaging</li> <li>0.8 mm ball-pitch Ultra FINELINE BGA packaging</li> <li>Multiple devices with identical package footprints for seamless migration between different FPGA densities</li> <li>Devices with compatible package footprints allow migration to next generation high-end Stratix® 10 devices</li> <li>RoHS, leaded<sup>(1)</sup>, and lead-free (Pb-free) options</li> </ul> |
| High-performance FPGA fabric | <ul style="list-style-type: none"> <li>Enhanced 8-input ALM with four registers</li> <li>Improved multi-track routing architecture to reduce congestion and improve compilation time</li> <li>Hierarchical core clocking architecture</li> <li>Fine-grained partial reconfiguration</li> </ul>  |
| Internal memory blocks       | <ul style="list-style-type: none"> <li>M20K—20-Kb memory blocks with hard error correction code (ECC)</li> <li>Memory logic array block (MLAB)—640-bit memory</li> </ul>  |

*continued...*

(1) Contact Intel for availability.



| Feature                           | Description   |   |
|-----------------------------------|---|---|
| Embedded Hard IP blocks           | Variable-precision DSP <ul style="list-style-type: none"> <li>• Native support for signal processing precision levels from 18 x 19 to 54 x 54</li> <li>• Native support for 27 x 27 multiplier mode</li> <li>• 64-bit accumulator and cascade for systolic finite impulse responses (FIRs)</li> <li>• Internal coefficient memory banks</li> <li>• Preadder/subtractor for improved efficiency</li> <li>• Additional pipeline register to increase performance and reduce power</li> <li>• Supports floating point arithmetic: <ul style="list-style-type: none"> <li>– Perform multiplication, addition, subtraction, multiply-add, multiply-subtract, and complex multiplication.</li> <li>– Supports multiplication with accumulation capability, cascade summation, and cascade subtraction capability.</li> <li>– Dynamic accumulator reset control.</li> <li>– Support direct vector dot and complex multiplication chaining multiply floating point DSP blocks.</li> </ul> </li> </ul> |   |
|                                   | Memory controller   | DDR4, DDR3, and DDR3L   |
|                                   | PCI Express*  | PCI Express (PCIe*) Gen3 (x1, x2, x4, or x8), Gen2 (x1, x2, x4, or x8) and Gen1 (x1, x2, x4, or x8) hard IP with complete protocol stack, endpoint, and root port   |
|                                   | Transceiver I/O   | <ul style="list-style-type: none"> <li>• 10GBASE-KR/40GBASE-KR4 Forward Error Correction (FEC)</li> <li>• PCS hard IPs that support: <ul style="list-style-type: none"> <li>– 10-Gbps Ethernet (10GbE)</li> <li>– PCIe PIPE interface</li> <li>– Interlaken</li> <li>– Gbps Ethernet (GbE)</li> <li>– Common Public Radio Interface (CPRI) with deterministic latency support</li> <li>– Gigabit-capable passive optical network (GPON) with fast lock-time support</li> </ul> </li> <li>• 13.5G JESD204b</li> <li>• 8B/10B, 64B/66B, 64B/67B encoders and decoders</li> <li>• Custom mode support for proprietary protocols</li> </ul> |
| Core clock networks               | <ul style="list-style-type: none"> <li>• Up to 800 MHz fabric clocking, depending on the application: <ul style="list-style-type: none"> <li>– 667 MHz external memory interface clocking with 2,400 Mbps DDR4 interface</li> <li>– 800 MHz LVDS interface clocking with 1,600 Mbps LVDS interface</li> </ul> </li> <li>• Global, regional, and peripheral clock networks</li> <li>• Clock networks that are not used can be gated to reduce dynamic power</li> </ul>   |   |
| Phase-locked loops (PLLs)         | <ul style="list-style-type: none"> <li>• High-resolution fractional synthesis PLLs: <ul style="list-style-type: none"> <li>– Precision clock synthesis, clock delay compensation, and zero delay buffering (ZDB)</li> <li>– Support integer mode and fractional mode</li> <li>– Fractional mode support with third-order delta-sigma modulation</li> </ul> </li> <li>• Integer PLLs: <ul style="list-style-type: none"> <li>– Adjacent to general purpose I/Os</li> <li>– Support external memory and LVDS interfaces</li> </ul> </li> </ul>  |   |
| FPGA General-purpose I/Os (GPIOs) | <ul style="list-style-type: none"> <li>• 1.6 Gbps LVDS—every pair can be configured as receiver or transmitter</li> <li>• On-chip termination (OCT)</li> <li>• 1.2 V to 3.0 V single-ended LVTTTL/LVCMOS interfacing</li> </ul>   |   |
| External Memory Interface         | <ul style="list-style-type: none"> <li>• Hard memory controller— DDR4, DDR3, and DDR3L support <ul style="list-style-type: none"> <li>– DDR4—speeds up to 1,200 MHz/2,400 Mbps</li> <li>– DDR3—speeds up to 1,067 MHz/2,133 Mbps</li> </ul> </li> <li>• Soft memory controller—provides support for RDRAM 3<sup>(2)</sup>, QDR IV<sup>(2)</sup>, and QDR II+</li> </ul>   |   |
| <b>continued...</b>               |   |   |



| Feature                                 | Description  |   |
|---|--|---|
| Low-power serial transceivers           | <ul style="list-style-type: none"> <li>• Continuous operating range:                             <ul style="list-style-type: none"> <li>— Intel Arria 10 GX—1 Gbps to 17.4 Gbps</li> <li>— Intel Arria 10 GT—1 Gbps to 25.8 Gbps</li> </ul> </li> <li>• Backplane support:                             <ul style="list-style-type: none"> <li>— Intel Arria 10 GX—up to 12.5</li> <li>— Intel Arria 10 GT—up to 12.5</li> </ul> </li> <li>• Extended range down to 125 Mbps with oversampling</li> <li>• ATX transmit PLLs with user-configurable fractional synthesis capability</li> <li>• Electronic Dispersion Compensation (EDC) support for XFP, SFP+, QSFP, and CFP optical module</li> <li>• Adaptive linear and decision feedback equalization</li> <li>• Transmitter pre-emphasis and de-emphasis</li> <li>• Dynamic partial reconfiguration of individual transceiver channels</li> </ul> |   |
| HPS<br>(Intel Arria 10 SX devices only) | Processor and system   | <ul style="list-style-type: none"> <li>• Dual-core ARM Cortex-A9 MPCore processor—1.2 GHz CPU with 1.5 GHz overdrive capability</li> <li>• 256 KB on-chip RAM and 64 KB on-chip ROM</li> <li>• System peripherals—general-purpose timers, watchdog timers, direct memory access (DMA) controller, FPGA configuration manager, and clock and reset managers</li> <li>• Security features—anti-tamper, secure boot, Advanced Encryption Standard (AES) and authentication (SHA)</li> <li>• ARM CoreSight* JTAG debug access port, trace port, and on-chip trace storage</li> </ul>  |
|   | External interfaces  | <ul style="list-style-type: none"> <li>• Hard memory interface—Hard memory controller (2,400 Mbps DDR4, and 2,133 Mbps DDR3), Quad serial peripheral interface (QSPI) flash controller, NAND flash controller, direct memory access (DMA) controller, Secure Digital/MultiMediaCard (SD/MMC) controller</li> <li>• Communication interface— 10/100/1000 Ethernet media access control (MAC), USB On-The-GO (OTG) controllers, I<sup>2</sup>C controllers, UART 16550, serial peripheral interface (SPI), and up to 62 HPS GPIO interfaces (48 direct-share I/Os)</li> </ul>   |
|   | Interconnects to core  | <ul style="list-style-type: none"> <li>• High-performance ARM AMBA* AXI bus bridges that support simultaneous read and write</li> <li>• HPS-FPGA bridges—include the FPGA-to-HPS, HPS-to-FPGA, and lightweight HPS-to-FPGA bridges that allow the FPGA fabric to issue transactions to slaves in the HPS, and vice versa</li> <li>• Configuration bridge that allows HPS configuration manager to configure the core logic via dedicated 32-bit configuration port</li> <li>• FPGA-to-HPS SDRAM controller bridge—provides configuration interfaces for the multiport front end (MPFE) of the HPS SDRAM controller</li> </ul> |
| Configuration                           | <ul style="list-style-type: none"> <li>• Tamper protection—comprehensive design protection to protect your valuable IP investments</li> <li>• Enhanced 256-bit advanced encryption standard (AES) design security with authentication</li> <li>• Configuration via protocol (CvP) using PCIe Gen1, Gen2, or Gen3</li> </ul>  |   |

*continued...*

(2) Intel Arria 10 devices support this external memory interface using hard PHY with soft memory controller.



## Intel® Arria® 10 Device Overview

A10-OVERVIEW | 2018.12.06

| Feature            | Description  |
|--------------------|--|
|                    | <ul style="list-style-type: none"> <li>Dynamic reconfiguration of the transceivers and PLLs</li> <li>Fine-grained partial reconfiguration of the core fabric</li> <li>Active Serial x4 Interface</li> </ul>  |
| Power management   | <ul style="list-style-type: none"> <li>SmartVID</li> <li>Low static power device options</li> <li>Programmable Power Technology</li> <li>Intel Quartus® Prime integrated power analysis</li> </ul>   |
| Software and tools | <ul style="list-style-type: none"> <li>Intel Quartus Prime design suite</li> <li>Transceiver toolkit</li> <li>Platform Designer system integration tool</li> <li>DSP Builder for Intel FPGAs</li> <li>OpenCL™ support</li> <li>Intel SoC FPGA Embedded Design Suite (EDS)</li> </ul> |

### Related Information

#### [Intel Arria 10 Transceiver PHY Overview](#)

Provides details on Intel Arria 10 transceivers.

## Intel Arria 10 Device Variants and Packages

**Table 4. Device Variants for the Intel Arria 10 Device Family**

| Variant           | Description  |
|-------------------|--|
| Intel Arria 10 GX | FPGA featuring 17.4 Gbps transceivers for short reach applications with 12.5 backplane driving capability.   |
| Intel Arria 10 GT | FPGA featuring: <ul style="list-style-type: none"> <li>17.4 Gbps transceivers for short reach applications with 12.5 backplane driving capability.</li> <li>25.8 Gbps transceivers for supporting CAUI-4 and CEI-25G applications with CFP2 and CFP4 modules.</li> </ul> |
| Intel Arria 10 SX | SoC integrating ARM-based HPS and FPGA featuring 17.4 Gbps transceivers for short reach applications with 12.5 backplane driving capability.   |

### Intel Arria 10 GX

This section provides the available options, maximum resource counts, and package plan for the Intel Arria 10 GX devices.

The information in this section is correct at the time of publication. For the latest information and to get more details, refer to the Intel FPGA Product Selector.

### Related Information

#### [Intel FPGA Product Selector](#)

Provides the latest information on Intel products.





**Available Options**

**Figure 1. Sample Ordering Code and Available Options for Intel Arria 10 GX Devices**



**Related Information**

[Transceiver Performance for Intel Arria 10 GX/SX Devices](#)

Provides more information about the transceiver speed grade.



## Maximum Resources

**Table 5. Maximum Resource Counts for Intel Arria 10 GX Devices (GX 160, GX 220, GX 270, GX 320, and GX 480)**

| Resource                     |                      | Product Line |         |         |         |         |
|------------------------------|----------------------|--------------|---------|---------|---------|---------|
|                              |                      | GX 160       | GX 220  | GX 270  | GX 320  | GX 480  |
| Logic Elements (LE) (K)      |                      | 160          | 220     | 270     | 320     | 480     |
| ALM                          |                      | 61,510       | 80,330  | 101,620 | 119,900 | 183,590 |
| Register                     |                      | 246,040      | 321,320 | 406,480 | 479,600 | 734,360 |
| Memory (Kb)                  | M20K                 | 8,800        | 11,740  | 15,000  | 17,820  | 28,620  |
|                              | MLAB                 | 1,050        | 1,690   | 2,452   | 2,727   | 4,164   |
| Variable-precision DSP Block |                      | 156          | 192     | 830     | 985     | 1,368   |
| 18 x 19 Multiplier           |                      | 312          | 384     | 1,660   | 1,970   | 2,736   |
| PLL                          | Fractional Synthesis | 6            | 6       | 8       | 8       | 12      |
|                              | I/O                  | 6            | 6       | 8       | 8       | 12      |
| 17.4 Gbps Transceiver        |                      | 12           | 12      | 24      | 24      | 36      |
| GPIO <sup>(3)</sup>          |                      | 288          | 288     | 384     | 384     | 492     |
| LVDS Pair <sup>(4)</sup>     |                      | 120          | 120     | 168     | 168     | 222     |
| PCIe Hard IP Block           |                      | 1            | 1       | 2       | 2       | 2       |
| Hard Memory Controller       |                      | 6            | 6       | 8       | 8       | 12      |

<sup>(3)</sup> The number of GPIOs does not include transceiver I/Os. In the Intel Quartus Prime software, the number of user I/Os includes transceiver I/Os.

<sup>(4)</sup> Each LVDS I/O pair can be used as differential input or output.



**Table 6. Maximum Resource Counts for Intel Arria 10 GX Devices (GX 570, GX 660, GX 900, and GX 1150)**

| Resource                     |                      | Product Line |           |           |           |
|------------------------------|----------------------|--------------|-----------|-----------|-----------|
|                              |                      | GX 570       | GX 660    | GX 900    | GX 1150   |
| Logic Elements (LE) (K)      |                      | 570          | 660       | 900       | 1,150     |
| ALM                          |                      | 217,080      | 251,680   | 339,620   | 427,200   |
| Register                     |                      | 868,320      | 1,006,720 | 1,358,480 | 1,708,800 |
| Memory (Kb)                  | M20K                 | 36,000       | 42,620    | 48,460    | 54,260    |
|                              | MLAB                 | 5,096        | 5,788     | 9,386     | 12,984    |
| Variable-precision DSP Block |                      | 1,523        | 1,687     | 1,518     | 1,518     |
| 18 x 19 Multiplier           |                      | 3,046        | 3,374     | 3,036     | 3,036     |
| PLL                          | Fractional Synthesis | 16           | 16        | 32        | 32        |
|                              | I/O                  | 16           | 16        | 16        | 16        |
| 17.4 Gbps Transceiver        |                      | 48           | 48        | 96        | 96        |
| GPIO <sup>(3)</sup>          |                      | 696          | 696       | 768       | 768       |
| LVDS Pair <sup>(4)</sup>     |                      | 324          | 324       | 384       | 384       |
| PCIe Hard IP Block           |                      | 2            | 2         | 4         | 4         |
| Hard Memory Controller       |                      | 16           | 16        | 16        | 16        |

## Package Plan

**Table 7. Package Plan for Intel Arria 10 GX Devices (U19, F27, and F29)**

Refer to I/O and High Speed I/O in Intel Arria 10 Devices chapter for the number of 3 V I/O, LVDS I/O, and LVDS channels in each device package.

| Product Line | U19<br>(19 mm × 19 mm,<br>484-pin UBGA) |          |      | F27<br>(27 mm × 27 mm,<br>672-pin FBGA) |          |      | F29<br>(29 mm × 29 mm,<br>780-pin FBGA) |          |      |
|--------------|---|----------|------|---|----------|------|---|----------|------|
|              | 3 V I/O                                 | LVDS I/O | XCVR | 3 V I/O                                 | LVDS I/O | XCVR | 3 V I/O                                 | LVDS I/O | XCVR |
| GX 160       | 48                                      | 192      | 6    | 48                                      | 192      | 12   | 48                                      | 240      | 12   |
| GX 220       | 48                                      | 192      | 6    | 48                                      | 192      | 12   | 48                                      | 240      | 12   |
| GX 270       | —                                       | —        | —    | 48                                      | 192      | 12   | 48                                      | 312      | 12   |
| GX 320       | —                                       | —        | —    | 48                                      | 192      | 12   | 48                                      | 312      | 12   |
| GX 480       | —                                       | —        | —    | —                                       | —        | —    | 48                                      | 312      | 12   |

**Table 8. Package Plan for Intel Arria 10 GX Devices (F34, F35, NF40, and KF40)**

Refer to I/O and High Speed I/O in Intel Arria 10 Devices chapter for the number of 3 V I/O, LVDS I/O, and LVDS channels in each device package.

| Product Line | F34<br>(35 mm × 35 mm,<br>1152-pin FBGA) |             |      | F35<br>(35 mm × 35 mm,<br>1152-pin FBGA) |             |      | KF40<br>(40 mm × 40 mm,<br>1517-pin FBGA) |             |      | NF40<br>(40 mm × 40 mm,<br>1517-pin FBGA) |             |      |
|--------------|--|-------------|------|--|-------------|------|---|-------------|------|---|-------------|------|
|              | 3 V<br>I/O                               | LVDS<br>I/O | XCVR | 3 V<br>I/O                               | LVDS<br>I/O | XCVR | 3 V<br>I/O                                | LVDS<br>I/O | XCVR | 3 V<br>I/O                                | LVDS<br>I/O | XCVR |
| GX 270       | 48                                       | 336         | 24   | 48                                       | 336         | 24   | —   | —           | —    | —   | —           | —    |
| GX 320       | 48                                       | 336         | 24   | 48                                       | 336         | 24   | —   | —           | —    | —   | —           | —    |
| GX 480       | 48                                       | 444         | 24   | 48                                       | 348         | 36   | —   | —           | —    | —   | —           | —    |
| GX 570       | 48                                       | 444         | 24   | 48                                       | 348         | 36   | 96  | 600         | 36   | 48  | 540         | 48   |
| GX 660       | 48                                       | 444         | 24   | 48                                       | 348         | 36   | 96  | 600         | 36   | 48  | 540         | 48   |
| GX 900       | —  | 504         | 24   | —  | —           | —    | —   | —           | —    | —   | 600         | 48   |
| GX 1150      | —  | 504         | 24   | —  | —           | —    | —   | —           | —    | —   | 600         | 48   |

**Table 9. Package Plan for Intel Arria 10 GX Devices (RF40, NF45, SF45, and UF45)**

Refer to I/O and High Speed I/O in Intel Arria 10 Devices chapter for the number of 3 V I/O, LVDS I/O, and LVDS channels in each device package.

| Product Line | RF40<br>(40 mm × 40 mm,<br>1517-pin FBGA) |             |      | NF45<br>(45 mm × 45 mm)<br>1932-pin FBGA) |             |      | SF45<br>(45 mm × 45 mm)<br>1932-pin FBGA) |             |      | UF45<br>(45 mm × 45 mm)<br>1932-pin FBGA) |             |      |
|--------------|---|-------------|------|---|-------------|------|---|-------------|------|---|-------------|------|
|              | 3 V<br>I/O                                | LVDS<br>I/O | XCVR | 3 V<br>I/O                                | LVDS<br>I/O | XCVR | 3 V<br>I/O                                | LVDS<br>I/O | XCVR | 3 V<br>I/O                                | LVDS<br>I/O | XCVR |
| GX 900       | —   | 342         | 66   | —   | 768         | 48   | —   | 624         | 72   | —   | 480         | 96   |
| GX 1150      | —   | 342         | 66   | —   | 768         | 48   | —   | 624         | 72   | —   | 480         | 96   |

### Related Information

[I/O and High-Speed Differential I/O Interfaces in Intel Arria 10 Devices chapter, Intel Arria 10 Device Handbook](#)

Provides the number of 3 V and LVDS I/Os, and LVDS channels for each Intel Arria 10 device package.

## Intel Arria 10 GT

This section provides the available options, maximum resource counts, and package plan for the Intel Arria 10 GT devices.

The information in this section is correct at the time of publication. For the latest information and to get more details, refer to the Intel FPGA Product Selector.

### Related Information

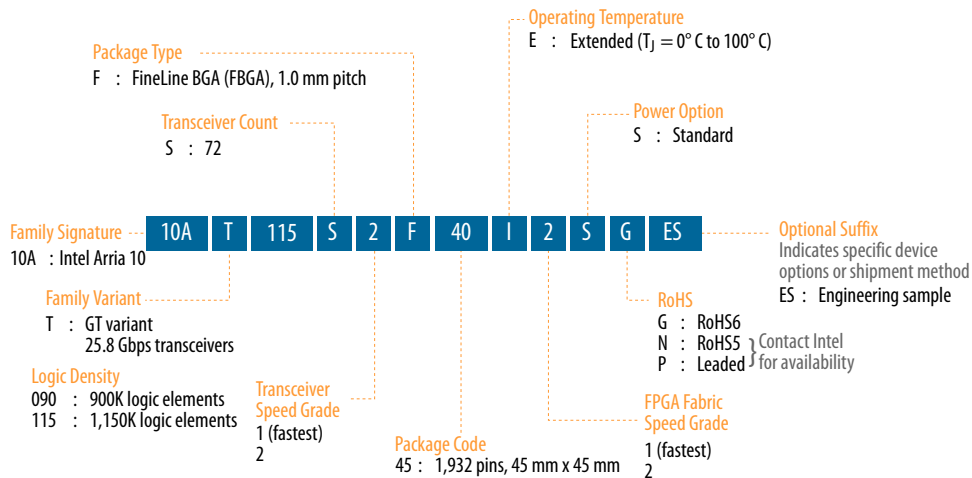
[Intel FPGA Product Selector](#)

Provides the latest information on Intel products.



**Available Options**

**Figure 2. Sample Ordering Code and Available Options for Intel Arria 10 GT Devices**





## Maximum Resources

**Table 10. Maximum Resource Counts for Intel Arria 10 GT Devices**

| Resource                     |                      | Product Line      |                   |
|------------------------------|----------------------|-------------------|-------------------|
|                              |                      | GT 900            | GT 1150           |
| Logic Elements (LE) (K)      |                      | 900               | 1,150             |
| ALM                          |                      | 339,620           | 427,200           |
| Register                     |                      | 1,358,480         | 1,708,800         |
| Memory (Kb)                  | M20K                 | 48,460            | 54,260            |
|                              | MLAB                 | 9,386             | 12,984            |
| Variable-precision DSP Block |                      | 1,518             | 1,518             |
| 18 x 19 Multiplier           |                      | 3,036             | 3,036             |
| PLL                          | Fractional Synthesis | 32                | 32                |
|                              | I/O                  | 16                | 16                |
| Transceiver                  | 17.4 Gbps            | 72 <sup>(5)</sup> | 72 <sup>(5)</sup> |
|                              | 25.8 Gbps            | 6                 | 6                 |
| GPIO <sup>(6)</sup>          |                      | 624               | 624               |
| LVDS Pair <sup>(7)</sup>     |                      | 312               | 312               |
| PCIe Hard IP Block           |                      | 4                 | 4                 |
| Hard Memory Controller       |                      | 16                | 16                |

### Related Information

#### [Intel Arria 10 GT Channel Usage](#)

Configuring GT/GX channels in Intel Arria 10 GT devices.

## Package Plan

**Table 11. Package Plan for Intel Arria 10 GT Devices**

Refer to I/O and High Speed I/O in Intel Arria 10 Devices chapter for the number of 3 V I/O, LVDS I/O, and LVDS channels in each device package.

| Product Line | SF45<br>(45 mm × 45 mm, 1932-pin FBGA) |          |      |
|--------------|--|----------|------|
|              | 3 V I/O                                | LVDS I/O | XCVR |
| GT 900       | —                                      | 624      | 72   |
| GT 1150      | —                                      | 624      | 72   |

<sup>(5)</sup> If all 6 GT channels are in use, 12 of the GX channels are not usable.

<sup>(6)</sup> The number of GPIOs does not include transceiver I/Os. In the Intel Quartus Prime software, the number of user I/Os includes transceiver I/Os.

<sup>(7)</sup> Each LVDS I/O pair can be used as differential input or output.



**Related Information**

I/O and High-Speed Differential I/O Interfaces in Intel Arria 10 Devices chapter, Intel Arria 10 Device Handbook

Provides the number of 3 V and LVDS I/Os, and LVDS channels for each Intel Arria 10 device package.

**Intel Arria 10 SX**

This section provides the available options, maximum resource counts, and package plan for the Intel Arria 10 SX devices.

The information in this section is correct at the time of publication. For the latest information and to get more details, refer to the Intel FPGA Product Selector.

**Related Information**

Intel FPGA Product Selector

Provides the latest information on Intel products.

**Available Options**

**Figure 3. Sample Ordering Code and Available Options for Intel Arria 10 SX Devices**



**Related Information**

Transceiver Performance for Intel Arria 10 GX/SX Devices

Provides more information about the transceiver speed grade.



## Maximum Resources

**Table 12. Maximum Resource Counts for Intel Arria 10 SX Devices**

| Resource                       |                      | Product Line |         |         |         |         |         |           |
|--------------------------------|----------------------|--------------|---------|---------|---------|---------|---------|-----------|
|                                |                      | SX 160       | SX 220  | SX 270  | SX 320  | SX 480  | SX 570  | SX 660    |
| Logic Elements (LE) (K)        |                      | 160          | 220     | 270     | 320     | 480     | 570     | 660       |
| ALM                            |                      | 61,510       | 80,330  | 101,620 | 119,900 | 183,590 | 217,080 | 251,680   |
| Register                       |                      | 246,040      | 321,320 | 406,480 | 479,600 | 734,360 | 868,320 | 1,006,720 |
| Memory (Kb)                    | M20K                 | 8,800        | 11,740  | 15,000  | 17,820  | 28,620  | 36,000  | 42,620    |
|                                | MLAB                 | 1,050        | 1,690   | 2,452   | 2,727   | 4,164   | 5,096   | 5,788     |
| Variable-precision DSP Block   |                      | 156          | 192     | 830     | 985     | 1,368   | 1,523   | 1,687     |
| 18 x 19 Multiplier             |                      | 312          | 384     | 1,660   | 1,970   | 2,736   | 3,046   | 3,374     |
| PLL                            | Fractional Synthesis | 6            | 6       | 8       | 8       | 12      | 16      | 16        |
|                                | I/O                  | 6            | 6       | 8       | 8       | 12      | 16      | 16        |
| 17.4 Gbps Transceiver          |                      | 12           | 12      | 24      | 24      | 36      | 48      | 48        |
| GPIO <sup>(8)</sup>            |                      | 288          | 288     | 384     | 384     | 492     | 696     | 696       |
| LVDS Pair <sup>(9)</sup>       |                      | 120          | 120     | 168     | 168     | 174     | 324     | 324       |
| PCIe Hard IP Block             |                      | 1            | 1       | 2       | 2       | 2       | 2       | 2         |
| Hard Memory Controller         |                      | 6            | 6       | 8       | 8       | 12      | 16      | 16        |
| ARM Cortex-A9 MPCore Processor |                      | Yes          | Yes     | Yes     | Yes     | Yes     | Yes     | Yes       |

## Package Plan

**Table 13. Package Plan for Intel Arria 10 SX Devices (U19, F27, F29, and F34)**

Refer to I/O and High Speed I/O in Intel Arria 10 Devices chapter for the number of 3 V I/O, LVDS I/O, and LVDS channels in each device package.

| Product Line | U19<br>(19 mm × 19 mm,<br>484-pin UBGA) |             |      | F27<br>(27 mm × 27 mm,<br>672-pin FBGA) |             |      | F29<br>(29 mm × 29 mm,<br>780-pin FBGA) |             |      | F34<br>(35 mm × 35 mm,<br>1152-pin FBGA) |             |      |
|--------------|---|-------------|------|---|-------------|------|---|-------------|------|--|-------------|------|
|              | 3 V<br>I/O                              | LVDS<br>I/O | XCVR | 3 V<br>I/O                              | LVDS<br>I/O | XCVR | 3 V<br>I/O                              | LVDS<br>I/O | XCVR | 3 V<br>I/O                               | LVDS<br>I/O | XCVR |
| SX 160       | 48                                      | 144         | 6    | 48                                      | 192         | 12   | 48                                      | 240         | 12   | —  | —           | —    |
| SX 220       | 48                                      | 144         | 6    | 48                                      | 192         | 12   | 48                                      | 240         | 12   | —  | —           | —    |
| SX 270       | —                                       | —           | —    | 48                                      | 192         | 12   | 48                                      | 312         | 12   | 48                                       | 336         | 24   |
| SX 320       | —                                       | —           | —    | 48                                      | 192         | 12   | 48                                      | 312         | 12   | 48                                       | 336         | 24   |

*continued...*

<sup>(8)</sup> The number of GPIOs does not include transceiver I/Os. In the Intel Quartus Prime software, the number of user I/Os includes transceiver I/Os.

<sup>(9)</sup> Each LVDS I/O pair can be used as differential input or output.





| Product Line | U19<br>(19 mm × 19 mm,<br>484-pin UBGA) |             |      | F27<br>(27 mm × 27 mm,<br>672-pin FBGA) |             |      | F29<br>(29 mm × 29 mm,<br>780-pin FBGA) |             |      | F34<br>(35 mm × 35 mm,<br>1152-pin FBGA) |             |      |
|--------------|---|-------------|------|---|-------------|------|---|-------------|------|--|-------------|------|
|              | 3 V<br>I/O                              | LVDS<br>I/O | XCVR | 3 V<br>I/O                              | LVDS<br>I/O | XCVR | 3 V<br>I/O                              | LVDS<br>I/O | XCVR | 3 V<br>I/O                               | LVDS<br>I/O | XCVR |
| SX 480       | —                                       | —           | —    | —                                       | —           | —    | 48                                      | 312         | 12   | 48                                       | 444         | 24   |
| SX 570       | —                                       | —           | —    | —                                       | —           | —    | —                                       | —           | —    | 48                                       | 444         | 24   |
| SX 660       | —                                       | —           | —    | —                                       | —           | —    | —                                       | —           | —    | 48                                       | 444         | 24   |

**Table 14. Package Plan for Intel Arria 10 SX Devices (F35, KF40, and NF40)**

Refer to I/O and High Speed I/O in Intel Arria 10 Devices chapter for the number of 3 V I/O, LVDS I/O, and LVDS channels in each device package.

| Product Line | F35<br>(35 mm × 35 mm,<br>1152-pin FBGA) |          |      | KF40<br>(40 mm × 40 mm,<br>1517-pin FBGA) |          |      | NF40<br>(40 mm × 40 mm,<br>1517-pin FBGA) |          |      |
|--------------|--|----------|------|---|----------|------|---|----------|------|
|              | 3 V I/O                                  | LVDS I/O | XCVR | 3 V I/O                                   | LVDS I/O | XCVR | 3 V I/O                                   | LVDS I/O | XCVR |
| SX 270       | 48                                       | 336      | 24   | —   | —        | —    | —   | —        | —    |
| SX 320       | 48                                       | 336      | 24   | —   | —        | —    | —   | —        | —    |
| SX 480       | 48                                       | 348      | 36   | —   | —        | —    | —   | —        | —    |
| SX 570       | 48                                       | 348      | 36   | 96  | 600      | 36   | 48  | 540      | 48   |
| SX 660       | 48                                       | 348      | 36   | 96  | 600      | 36   | 48  | 540      | 48   |

#### Related Information

[I/O and High-Speed Differential I/O Interfaces in Intel Arria 10 Devices chapter, Intel Arria 10 Device Handbook](#)

Provides the number of 3 V and LVDS I/Os, and LVDS channels for each Intel Arria 10 device package.



## I/O Vertical Migration for Intel Arria 10 Devices

**Figure 4. Migration Capability Across Intel Arria 10 Product Lines**

- The arrows indicate the migration paths. The devices included in each vertical migration path are shaded. Devices with fewer resources in the same path have lighter shades.
- To achieve the full I/O migration across product lines in the same migration path, restrict I/Os and transceivers usage to match the product line with the lowest I/O and transceiver counts.
- An LVDS I/O bank in the source device may be mapped to a 3 V I/O bank in the target device. To use memory interface clock frequency higher than 533 MHz, assign external memory interface pins only to banks that are LVDS I/O in both devices.
- There may be nominal 0.15 mm package height difference between some product lines in the same package type.
- Some migration paths are not shown in the Intel Quartus Prime software **Pin Migration View**.

| Variant             | Product Line      | Package |     |     |     |     |      |      |      |      |      |      |
|---------------------|-------------------|---------|-----|-----|-----|-----|------|------|------|------|------|------|
|                     |                   | U19     | F27 | F29 | F34 | F35 | KF40 | NF40 | RF40 | NF45 | SF45 | UF45 |
| Intel® Arria® 10 GX | GX 160            | ↑       | ↑   | ↑   |     |     |      |      |      |      |      |      |
|                     | GX 220            | ↓       |     |     |     |     |      |      |      |      |      |      |
|                     | GX 270            |         | ↑   | ↑   | ↑   | ↑   |      |      |      |      |      |      |
|                     | GX 320            |         | ↓   | ↓   | ↓   | ↓   |      |      |      |      |      |      |
|                     | GX 480            |         |     | ↓   |     |     |      |      |      |      |      |      |
|                     | GX 570            |         |     |     |     |     | ↑    | ↑    |      |      |      |      |
|                     | GX 660            |         |     |     |     |     | ↓    | ↓    |      |      |      |      |
|                     | GX 900            |         |     |     |     |     |      |      | ↑    | ↑    | ↑    | ↑    |
|                     | GX 1150           |         |     |     |     | ↓   |      |      | ↓    | ↓    | ↓    | ↓    |
|                     | Intel Arria 10 GT | GT 900  |     |     |     |     |      |      |      |      |      | ↓    |
| GT 1150             |                   |         |     |     |     |     |      |      |      |      |      | ↓    |
| Intel Arria 10 SX   | SX 160            | ↑       | ↑   | ↑   |     |     |      |      |      |      |      |      |
|                     | SX 220            | ↓       |     |     |     |     |      |      |      |      |      |      |
|                     | SX 270            |         | ↑   | ↑   | ↑   | ↑   |      |      |      |      |      |      |
|                     | SX 320            |         | ↓   | ↓   | ↓   | ↓   |      |      |      |      |      |      |
|                     | SX 480            |         |     | ↓   |     |     |      |      |      |      |      |      |
|                     | SX 570            |         |     |     |     |     | ↑    | ↑    |      |      |      |      |
|                     | SX 660            |         |     |     |     |     | ↓    | ↓    |      |      |      |      |

*Note:* To verify the pin migration compatibility, use the **Pin Migration View** window in the Intel Quartus Prime software Pin Planner.

## Adaptive Logic Module

Intel Arria 10 devices use a 20 nm ALM as the basic building block of the logic fabric.

The ALM architecture is the same as the previous generation FPGAs, allowing for efficient implementation of logic functions and easy conversion of IP between the device generations.

The ALM, as shown in following figure, uses an 8-input fracturable look-up table (LUT) with four dedicated registers to help improve timing closure in register-rich designs and achieve an even higher design packing capability than the traditional two-register per LUT architecture.



Figure 5. ALM for Intel Arria 10 Devices



The Intel Quartus Prime software optimizes your design according to the ALM logic structure and automatically maps legacy designs into the Intel Arria 10 ALM architecture.

## Variable-Precision DSP Block

The Intel Arria 10 variable precision DSP blocks support fixed-point arithmetic and floating-point arithmetic.

Features for fixed-point arithmetic:

- High-performance, power-optimized, and fully registered multiplication operations
- 18-bit and 27-bit word lengths
- Two 18 x 19 multipliers or one 27 x 27 multiplier per DSP block
- Built-in addition, subtraction, and 64-bit double accumulation register to combine multiplication results
- Cascading 19-bit or 27-bit when pre-adder is disabled and cascading 18-bit when pre-adder is used to form the tap-delay line for filtering applications
- Cascading 64-bit output bus to propagate output results from one block to the next block without external logic support
- Hard pre-adder supported in 19-bit and 27-bit modes for symmetric filters
- Internal coefficient register bank in both 18-bit and 27-bit modes for filter implementation
- 18-bit and 27-bit systolic finite impulse response (FIR) filters with distributed output adder
- Biased rounding support



Features for floating-point arithmetic:

- A completely hardened architecture that supports multiplication, addition, subtraction, multiply-add, and multiply-subtract
- Multiplication with accumulation capability and a dynamic accumulator reset control
- Multiplication with cascade summation capability
- Multiplication with cascade subtraction capability
- Complex multiplication
- Direct vector dot product
- Systolic FIR filter

**Table 15. Variable-Precision DSP Block Configurations for Intel Arria 10 Devices**

| Usage Example   | Multiplier Size (Bit)           | DSP Block Resources |
|---|---------------------------------|---------------------|
| Medium precision fixed point                            | Two 18 x 19                     | 1                   |
| High precision fixed or Single precision floating point | One 27 x 27                     | 1                   |
| Fixed point FFTs  | One 19 x 36 with external adder | 1                   |
| Very high precision fixed point                         | One 36 x 36 with external adder | 2                   |
| Double precision floating point                         | One 54 x 54 with external adder | 4                   |

**Table 16. Resources for Fixed-Point Arithmetic in Intel Arria 10 Devices**

The table lists the variable-precision DSP resources by bit precision for each Intel Arria 10 device.

| Variant            | Product Line | Variable-precision DSP Block | Independent Input and Output Multiplications Operator |                    | 18 x 19 Multiplier Adder Sum Mode | 18 x 18 Multiplier Adder Summed with 36 bit Input |
|--------------------|--------------|------------------------------|---|--------------------|-----------------------------------|---|
|                    |              |                              | 18 x 19 Multiplier                                    | 27 x 27 Multiplier |                                   |   |
| AIntel Arria 10 GX | GX 160       | 156                          | 312   | 156                | 156                               | 156   |
|                    | GX 220       | 192                          | 384   | 192                | 192                               | 192   |
|                    | GX 270       | 830                          | 1,660   | 830                | 830                               | 830   |
|                    | GX 320       | 984                          | 1,968   | 984                | 984                               | 984   |
|                    | GX 480       | 1,368                        | 2,736   | 1,368              | 1,368                             | 1,368   |
|                    | GX 570       | 1,523                        | 3,046   | 1,523              | 1,523                             | 1,523   |
|                    | GX 660       | 1,687                        | 3,374   | 1,687              | 1,687                             | 1,687   |
|                    | GX 900       | 1,518                        | 3,036   | 1,518              | 1,518                             | 1,518   |
| Intel Arria 10 GT  | GT 900       | 1,518                        | 3,036   | 1,518              | 1,518                             | 1,518   |
|                    | GT 1150      | 1,518                        | 3,036   | 1,518              | 1,518                             | 1,518   |
| Intel Arria 10 SX  | SX 160       | 156                          | 312   | 156                | 156                               | 156   |
|                    | SX 220       | 192                          | 384   | 192                | 192                               | 192   |
|                    | SX 270       | 830                          | 1,660   | 830                | 830                               | 830   |

*continued...*



| Variant | Product Line | Variable-precision DSP Block | Independent Input and Output Multiplications Operator |                    | 18 x 19 Multiplier Adder Sum Mode | 18 x 18 Multiplier Adder Summed with 36 bit Input |
|---------|--------------|------------------------------|---|--------------------|-----------------------------------|---|
|         |              |                              | 18 x 19 Multiplier                                    | 27 x 27 Multiplier |                                   |   |
|         | SX 320       | 984                          | 1,968   | 984                | 984                               | 984   |
|         | SX 480       | 1,368                        | 2,736   | 1,368              | 1,368                             | 1,368   |
|         | SX 570       | 1,523                        | 3,046   | 1,523              | 1,523                             | 1,523   |
|         | SX 660       | 1,687                        | 3,374   | 1,687              | 1,687                             | 1,687   |

**Table 17. Resources for Floating-Point Arithmetic in Intel Arria 10 Devices**

The table lists the variable-precision DSP resources by bit precision for each Intel Arria 10 device.

| Variant           | Product Line | Variable-precision DSP Block | Single Precision Floating-Point Multiplication Mode | Single-Precision Floating-Point Adder Mode | Single-Precision Floating-Point Multiply Accumulate Mode | Peak Giga Floating-Point Operations per Second (GFLOPs) |
|-------------------|--------------|------------------------------|---|--|--|---|
| Intel Arria 10 GX | GX 160       | 156                          | 156   | 156  | 156  | 140   |
|                   | GX 220       | 192                          | 192   | 192  | 192  | 173   |
|                   | GX 270       | 830                          | 830   | 830  | 830  | 747   |
|                   | GX 320       | 984                          | 984   | 984  | 984  | 886   |
|                   | GX 480       | 1,369                        | 1,368   | 1,368                                      | 1,368  | 1,231   |
|                   | GX 570       | 1,523                        | 1,523   | 1,523                                      | 1,523  | 1,371   |
|                   | GX 660       | 1,687                        | 1,687   | 1,687                                      | 1,687  | 1,518   |
|                   | GX 900       | 1,518                        | 1,518   | 1,518                                      | 1,518  | 1,366   |
|                   | GX 1150      | 1,518                        | 1,518   | 1,518                                      | 1,518  | 1,366   |
| Intel Arria 10 GT | GT 900       | 1,518                        | 1,518   | 1,518                                      | 1,518  | 1,366   |
|                   | GT 1150      | 1,518                        | 1,518   | 1,518                                      | 1,518  | 1,366   |
| Intel Arria 10 SX | SX 160       | 156                          | 156   | 156  | 156  | 140   |
|                   | SX 220       | 192                          | 192   | 192  | 192  | 173   |
|                   | SX 270       | 830                          | 830   | 830  | 830  | 747   |
|                   | SX 320       | 984                          | 984   | 984  | 984  | 886   |
|                   | SX 480       | 1,369                        | 1,368   | 1,368                                      | 1,368  | 1,231   |
|                   | SX 570       | 1,523                        | 1,523   | 1,523                                      | 1,523  | 1,371   |
|                   | SX 660       | 1,687                        | 1,687   | 1,687                                      | 1,687  | 1,518   |

## Embedded Memory Blocks

The embedded memory blocks in the devices are flexible and designed to provide an optimal amount of small- and large-sized memory arrays to fit your design requirements.



## Types of Embedded Memory

The Intel Arria 10 devices contain two types of memory blocks:

- 20 Kb M20K blocks—blocks of dedicated memory resources. The M20K blocks are ideal for larger memory arrays while still providing a large number of independent ports.
- 640 bit memory logic array blocks (MLABs)—enhanced memory blocks that are configured from dual-purpose logic array blocks (LABs). The MLABs are ideal for wide and shallow memory arrays. The MLABs are optimized for implementation of shift registers for digital signal processing (DSP) applications, wide and shallow FIFO buffers, and filter delay lines. Each MLAB is made up of ten adaptive logic modules (ALMs). In the Intel Arria 10 devices, you can configure these ALMs as ten 32 x 2 blocks, giving you one 32 x 20 simple dual-port SRAM block per MLAB.

## Embedded Memory Capacity in Intel Arria 10 Devices

**Table 18. Embedded Memory Capacity and Distribution in Intel Arria 10 Devices**

| Variant           | Product Line | M20K  |              | MLAB   |              | Total RAM Bit (Kb) |
|-------------------|--------------|-------|--------------|--------|--------------|--------------------|
|                   |              | Block | RAM Bit (Kb) | Block  | RAM Bit (Kb) |                    |
| Intel Arria 10 GX | GX 160       | 440   | 8,800        | 1,680  | 1,050        | 9,850              |
|                   | GX 220       | 587   | 11,740       | 2,703  | 1,690        | 13,430             |
|                   | GX 270       | 750   | 15,000       | 3,922  | 2,452        | 17,452             |
|                   | GX 320       | 891   | 17,820       | 4,363  | 2,727        | 20,547             |
|                   | GX 480       | 1,431 | 28,620       | 6,662  | 4,164        | 32,784             |
|                   | GX 570       | 1,800 | 36,000       | 8,153  | 5,096        | 41,096             |
|                   | GX 660       | 2,131 | 42,620       | 9,260  | 5,788        | 48,408             |
|                   | GX 900       | 2,423 | 48,460       | 15,017 | 9,386        | 57,846             |
|                   | GX 1150      | 2,713 | 54,260       | 20,774 | 12,984       | 67,244             |
| Intel Arria 10 GT | GT 900       | 2,423 | 48,460       | 15,017 | 9,386        | 57,846             |
|                   | GT 1150      | 2,713 | 54,260       | 20,774 | 12,984       | 67,244             |
| Intel Arria 10 SX | SX 160       | 440   | 8,800        | 1,680  | 1,050        | 9,850              |
|                   | SX 220       | 587   | 11,740       | 2,703  | 1,690        | 13,430             |
|                   | SX 270       | 750   | 15,000       | 3,922  | 2,452        | 17,452             |
|                   | SX 320       | 891   | 17,820       | 4,363  | 2,727        | 20,547             |
|                   | SX 480       | 1,431 | 28,620       | 6,662  | 4,164        | 32,784             |
|                   | SX 570       | 1,800 | 36,000       | 8,153  | 5,096        | 41,096             |
|                   | SX 660       | 2,131 | 42,620       | 9,260  | 5,788        | 48,408             |



## Embedded Memory Configurations for Single-port Mode

**Table 19. Single-port Embedded Memory Configurations for Intel Arria 10 Devices**

This table lists the maximum configurations supported for single-port RAM and ROM modes.

| Memory Block | Depth (bits)       | Programmable Width |
|--------------|--------------------|--------------------|
| MLAB         | 32                 | x16, x18, or x20   |
|              | 64 <sup>(10)</sup> | x8, x9, x10        |
| M20K         | 512                | x40, x32           |
|              | 1K                 | x20, x16           |
|              | 2K                 | x10, x8            |
|              | 4K                 | x5, x4             |
|              | 8K                 | x2                 |
|              | 16K                | x1                 |

## Clock Networks and PLL Clock Sources

The clock network architecture is based on Intel's global, regional, and peripheral clock structure. This clock structure is supported by dedicated clock input pins, fractional clock synthesis PLLs, and integer I/O PLLs.

### Clock Networks

The Intel Arria 10 core clock networks are capable of up to 800 MHz fabric operation across the full industrial temperature range. For the external memory interface, the clock network supports the hard memory controller with speeds up to 2,400 Mbps in a quarter-rate transfer.

To reduce power consumption, the Intel Quartus Prime software identifies all unused sections of the clock network and powers them down.

### Fractional Synthesis and I/O PLLs

Intel Arria 10 devices contain up to 32 fractional synthesis PLLs and up to 16 I/O PLLs that are available for both specific and general purpose uses in the core:

- Fractional synthesis PLLs—located in the column adjacent to the transceiver blocks
- I/O PLLs—located in each bank of the 48 I/Os

### Fractional Synthesis PLLs

You can use the fractional synthesis PLLs to:

- Reduce the number of oscillators that are required on your board
- Reduce the number of clock pins that are used in the device by synthesizing multiple clock frequencies from a single reference clock source

<sup>(10)</sup> Supported through software emulation and consumes additional MLAB blocks.



The fractional synthesis PLLs support the following features:

- Reference clock frequency synthesis for transceiver CMU and Advanced Transmit (ATX) PLLs
- Clock network delay compensation
- Zero-delay buffering
- Direct transmit clocking for transceivers
- Independently configurable into two modes:
  - Conventional integer mode equivalent to the general purpose PLL
  - Enhanced fractional mode with third order delta-sigma modulation
- PLL cascading

## I/O PLLs

The integer mode I/O PLLs are located in each bank of 48 I/Os. You can use the I/O PLLs to simplify the design of external memory and high-speed LVDS interfaces.

In each I/O bank, the I/O PLLs are adjacent to the hard memory controllers and LVDS SERDES. Because these PLLs are tightly coupled with the I/Os that need to use them, it makes it easier to close timing.

You can use the I/O PLLs for general purpose applications in the core such as clock network delay compensation and zero-delay buffering.

Intel Arria 10 devices support PLL-to-PLL cascading.

## FPGA General Purpose I/O

Intel Arria 10 devices offer highly configurable GPIOs. Each I/O bank contains 48 general purpose I/Os and a high-efficiency hard memory controller.

The following list describes the features of the GPIOs:

- Consist of 3 V I/Os for high-voltage application and LVDS I/Os for differential signaling
  - Up to two 3 V I/O banks, available in some devices, that support up to 3 V I/O standards
  - LVDS I/O banks that support up to 1.8 V I/O standards
- Support a wide range of single-ended and differential I/O interfaces
- LVDS speeds up to 1.6 Gbps
- Each LVDS pair of pins has differential input and output buffers, allowing you to configure the LVDS direction for each pair.
- Programmable bus hold and weak pull-up
- Programmable differential output voltage ( $V_{OD}$ ) and programmable pre-emphasis





- Series ( $R_S$ ) and parallel ( $R_T$ ) on-chip termination (OCT) for all I/O banks with OCT calibration to limit the termination impedance variation
- On-chip dynamic termination that has the ability to swap between series and parallel termination, depending on whether there is read or write on a common bus for signal integrity
- Easy timing closure support using the hard read FIFO in the input register path, and delay-locked loop (DLL) delay chain with fine and coarse architecture

## External Memory Interface

Intel Arria 10 devices offer massive external memory bandwidth, with up to seven 32-bit DDR4 memory interfaces running at up to 2,400 Mbps. This bandwidth provides additional ease of design, lower power, and resource efficiencies of hardened high-performance memory controllers.

The memory interface within Intel Arria 10 FPGAs and SoCs delivers the highest performance and ease of use. You can configure up to a maximum width of 144 bits when using the hard or soft memory controllers. If required, you can bypass the hard memory controller and use a soft controller implemented in the user logic.

Each I/O contains a hardened DDR read/write path (PHY) capable of performing key memory interface functionality such as read/write leveling, FIFO buffering to lower latency and improve margin, timing calibration, and on-chip termination.

The timing calibration is aided by the inclusion of hard microcontrollers based on Intel's Nios® II technology, specifically tailored to control the calibration of multiple memory interfaces. This calibration allows the Intel Arria 10 device to compensate for any changes in process, voltage, or temperature either within the Intel Arria 10 device itself, or within the external memory device. The advanced calibration algorithms ensure maximum bandwidth and robust timing margin across all operating conditions.

In addition to parallel memory interfaces, Intel Arria 10 devices support serial memory technologies such as the Hybrid Memory Cube (HMC). The HMC is supported by the Intel Arria 10 high-speed serial transceivers which connect up to four HMC links, with each link running at data rates up to 15 Gbps.

### Related Information

#### [External Memory Interface Spec Estimator](#)

Provides a parametric tool that allows you to find and compare the performance of the supported external memory interfaces in IntelFPGAs.

## Memory Standards Supported by Intel Arria 10 Devices

The I/Os are designed to provide high performance support for existing and emerging external memory standards.

**Table 20. Memory Standards Supported by the Hard Memory Controller**

This table lists the overall capability of the hard memory controller. For specific details, refer to the External Memory Interface Spec Estimator and Intel Arria 10 Device Datasheet.

| Memory Standard | Rate Support | Ping Pong PHY Support | Maximum Frequency (MHz) |
|-----------------|--------------|-----------------------|-------------------------|
| DDR4 SDRAM      | Quarter rate | Yes                   | 1,067                   |
|                 |              | —                     | 1,200                   |
| DDR3 SDRAM      | Half rate    | Yes                   | 533                     |
|                 |              | —                     | 667                     |
|                 | Quarter rate | Yes                   | 1,067                   |
|                 |              | —                     | 1,067                   |
| DDR3L SDRAM     | Half rate    | Yes                   | 533                     |
|                 |              | —                     | 667                     |
|                 | Quarter rate | Yes                   | 933                     |
| LPDDR3 SDRAM    | Half rate    | —                     | 533                     |
|                 | Quarter rate | —                     | 800                     |

**Table 21. Memory Standards Supported by the Soft Memory Controller**

| Memory Standard             | Rate Support | Maximum Frequency (MHz) |
|-----------------------------|--------------|-------------------------|
| RLDRAM 3 <sup>(11)</sup>    | Quarter rate | 1,200                   |
| QDR IV SRAM <sup>(11)</sup> | Quarter rate | 1,067                   |
| QDR II SRAM                 | Full rate    | 333                     |
|                             | Half rate    | 633                     |
| QDR II+ SRAM                | Full rate    | 333                     |
|                             | Half rate    | 633                     |
| QDR II+ Xtreme SRAM         | Full rate    | 333                     |
|                             | Half rate    | 633                     |

**Table 22. Memory Standards Supported by the HPS Hard Memory Controller**

The hard processor system (HPS) is available in Intel Arria 10 SoC devices only.

| Memory Standard | Rate Support | Maximum Frequency (MHz) |
|-----------------|--------------|-------------------------|
| DDR4 SDRAM      | Half rate    | 1,200                   |
| DDR3 SDRAM      | Half rate    | 1,067                   |
| DDR3L SDRAM     | Half rate    | 933                     |

<sup>(11)</sup> Intel Arria 10 devices support this external memory interface using hard PHY with soft memory controller.



### Related Information

#### [Intel Arria 10 Device Datasheet](#)

Lists the memory interface performance according to memory interface standards, rank or chip select configurations, and Intel Arria 10 device speed grades.

## PCIe Gen1, Gen2, and Gen3 Hard IP

Intel Arria 10 devices contain PCIe hard IP that is designed for performance and ease-of-use:

- Includes all layers of the PCIe stack—transaction, data link and physical layers.
- Supports PCIe Gen3, Gen2, and Gen1 Endpoint and Root Port in x1, x2, x4, or x8 lane configuration.
- Operates independently from the core logic—optional configuration via protocol (CvP) allows the PCIe link to power up and complete link training in less than 100 ms while the Intel Arria 10 device completes loading the programming file for the rest of the FPGA.
- Provides added functionality that makes it easier to support emerging features such as Single Root I/O Virtualization (SR-IOV) and optional protocol extensions.
- Provides improved end-to-end datapath protection using ECC.
- Supports FPGA configuration via protocol (CvP) using PCIe at Gen3, Gen2, or Gen1 speed.

### Related Information

[PCS Features](#) on page 30

## Enhanced PCS Hard IP for Interlaken and 10 Gbps Ethernet

### Interlaken Support

The Intel Arria 10 enhanced PCS hard IP provides integrated Interlaken PCS supporting rates up to 25.8 Gbps per lane.

The Interlaken PCS is based on the proven functionality of the PCS developed for Intel's previous generation FPGAs, which demonstrated interoperability with Interlaken ASSP vendors and third-party IP suppliers. The Interlaken PCS is present in every transceiver channel in Intel Arria 10 devices.

### Related Information

[PCS Features](#) on page 30

### 10 Gbps Ethernet Support

The Intel Arria 10 enhanced PCS hard IP supports 10GBASE-R PCS compliant with IEEE 802.3 10 Gbps Ethernet (10GbE). The integrated hard IP support for 10GbE and the 10 Gbps transceivers save external PHY cost, board space, and system power.



The scalable hard IP supports multiple independent 10GbE ports while using a single PLL for all the 10GBASE-R PCS instantiations, which saves on core logic resources and clock networks:

- Simplifies multiport 10GbE systems compared to XAUI interfaces that require an external XAUI-to-10G PHY.
- Incorporates Electronic Dispersion Compensation (EDC), which enables direct connection to standard 10 Gbps XFP and SFP+ pluggable optical modules.
- Supports backplane Ethernet applications and includes a hard 10GBASE-KR Forward Error Correction (FEC) circuit that you can use for 10 Gbps and 40 Gbps applications.

The 10 Gbps Ethernet PCS hard IP and 10GBASE-KR FEC are present in every transceiver channel.

### Related Information

[PCS Features](#) on page 30

## Low Power Serial Transceivers

Intel Arria 10 FPGAs and SoCs include lowest power transceivers that deliver high bandwidth, throughput and low latency.

Intel Arria 10 devices deliver the industry's lowest power consumption per transceiver channel:

- 12.5 Gbps transceivers at as low as 242 mW
- 10 Gbps transceivers at as low as 168 mW
- 6 Gbps transceivers at as low as 117 mW

Intel Arria 10 transceivers support various data rates according to application:

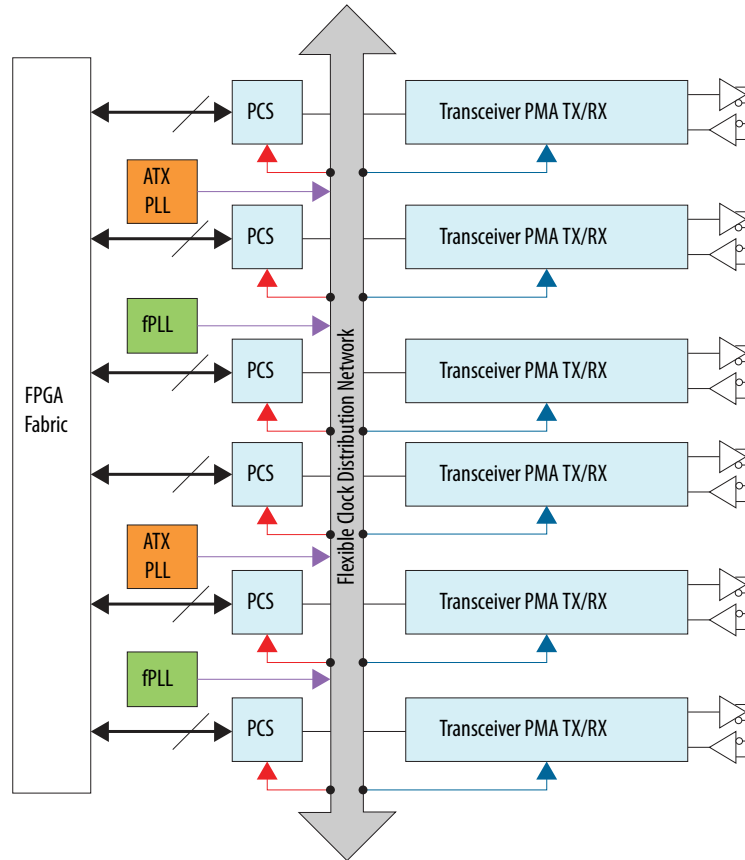
- Chip-to-chip and chip-to-module applications—from 1 Gbps up to 25.8 Gbps
- Long reach and backplane applications—from 1 Gbps up to 12.5 with advanced adaptive equalization
- Critical power sensitive applications—from 1 Gbps up to 11.3 Gbps using lower power modes

The combination of 20 nm process technology and architectural advances provide the following benefits:

- Significant reduction in die area and power consumption
- Increase of up to two times in transceiver I/O density compared to previous generation devices while maintaining optimal signal integrity
- Up to 72 total transceiver channels—you can configure up to 6 of these channels to run as fast as 25.8 Gbps
- All channels feature continuous data rate support up to the maximum rated speed



Figure 6. Intel Arria 10 Transceiver Block Architecture



## Transceiver Channels

All transceiver channels feature a dedicated Physical Medium Attachment (PMA) and a hardened Physical Coding Sublayer (PCS).

- The PMA provides primary interfacing capabilities to physical channels.
- The PCS typically handles encoding/decoding, word alignment, and other pre-processing functions before transferring data to the FPGA core fabric.

A transceiver channel consists of a PMA and a PCS block. Most transceiver banks have 6 channels. There are some transceiver banks that contain only 3 channels.

A wide variety of bonded and non-bonded data rate configurations is possible using a highly configurable clock distribution network. Up to 80 independent transceiver data rates can be configured.

The following figures are graphical representations of top views of the silicon die, which correspond to reverse views for flip chip packages. Different Intel Arria 10 devices may have different floorplans than the ones shown in the figures.



Figure 7. Device Chip Overview for Intel Arria 10 GX and GT Devices



Figure 8. Device Chip Overview for Intel Arria 10 SX Devices



## PMA Features

Intel Arria 10 transceivers provide exceptional signal integrity at data rates up to 25.8 Gbps. Clocking options include ultra-low jitter ATX PLLs (LC tank based), clock multiplier unit (CMU) PLLs, and fractional PLLs.



Each transceiver channel contains a channel PLL that can be used as the CMU PLL or clock data recovery (CDR) PLL. In CDR mode, the channel PLL recovers the receiver clock and data in the transceiver channel. Up to 80 independent data rates can be configured on a single Intel Arria 10 device.

**Table 23. PMA Features of the Transceivers in Intel Arria 10 Devices**

| Feature   | Capability   |
|---|--|
| Chip-to-Chip Data Rates                                 | 1 Gbps to 17.4 Gbps (Intel Arria 10 GX devices)<br>1 Gbps to 25.8 Gbps (Intel Arria 10 GT devices)   |
| Backplane Support                                       | Drive backplanes at data rates up to 12.5 Gbps   |
| Optical Module Support                                  | SFP+/SFP, XFP, CXP, QSFP/QSFP28, CFP/CFP2/CFP4   |
| Cable Driving Support                                   | SFP+ Direct Attach, PCI Express over cable, eSATA  |
| Transmit Pre-Emphasis                                   | 4-tap transmit pre-emphasis and de-emphasis to compensate for system channel loss  |
| Continuous Time Linear Equalizer (CTLE)                 | Dual mode, high-gain, and high-data rate, linear receive equalization to compensate for system channel loss  |
| Decision Feedback Equalizer (DFE)                       | 7-fixed and 4-floating tap DFE to equalize backplane channel loss in the presence of crosstalk and noisy environments  |
| Variable Gain Amplifier                                 | Optimizes the signal amplitude prior to the CDR sampling and operates in fixed and adaptive modes  |
| Altera Digital Adaptive Parametric Tuning (ADAPT)       | Fully digital adaptation engine to automatically adjust all link equalization parameters—including CTLE, DFE, and variable gain amplifier blocks—that provide optimal link margin without intervention from user logic |
| Precision Signal Integrity Calibration Engine (PreSICE) | Hardened calibration controller to quickly calibrate all transceiver control parameters on power-up, which provides the optimal signal integrity and jitter performance  |
| Advanced Transmit (ATX) PLL                             | Low jitter ATX (LC tank based) PLLs with continuous tuning range to cover a wide range of standard and proprietary protocols   |
| Fractional PLLs   | On-chip fractional frequency synthesizers to replace on-board crystal oscillators and reduce system cost   |
| Digitally Assisted Analog CDR                           | Superior jitter tolerance with fast lock time  |
| Dynamic Partial Reconfiguration                         | Allows independent control of the Avalon memory-mapped interface of each transceiver channel for the highest transceiver flexibility   |
| Multiple PCS-PMA and PCS-PLD interface widths           | 8-, 10-, 16-, 20-, 32-, 40-, or 64-bit interface widths for flexibility of deserialization width, encoding, and reduced latency  |

## PCS Features

This table summarizes the Intel Arria 10 transceiver PCS features. You can use the transceiver PCS to support a wide range of protocols ranging from 1 Gbps to 25.8 Gbps.



| PCS           | Description  |
|---------------|--|
| Standard PCS  | <ul style="list-style-type: none"> <li>Operates at a data rate up to 12 Gbps</li> <li>Supports protocols such as PCI-Express, CPRI 4.2+, GigE, IEEE 1588 in Hard PCS</li> <li>Implements other protocols using Basic/Custom (Standard PCS) transceiver configuration rules.</li> </ul>   |
| Enhanced PCS  | <ul style="list-style-type: none"> <li>Performs functions common to most serial data industry standards, such as word alignment, encoding/decoding, and framing, before data is sent or received off-chip through the PMA</li> <li>Handles data transfer to and from the FPGA fabric</li> <li>Handles data transfer internally to and from the PMA</li> <li>Provides frequency compensation</li> <li>Performs channel bonding for multi-channel low skew applications</li> </ul> |
| PCIe Gen3 PCS | <ul style="list-style-type: none"> <li>Supports the seamless switching of Data and Clock between the Gen1, Gen2, and Gen3 data rates</li> <li>Provides support for PIPE 3.0 features</li> <li>Supports the PIPE interface with the Hard IP enabled, as well as with the Hard IP bypassed</li> </ul>  |

### Related Information

- [PCIe Gen1, Gen2, and Gen3 Hard IP](#) on page 26
- [Interlaken Support](#) on page 26
- [10 Gbps Ethernet Support](#) on page 26

### PCS Protocol Support

This table lists some of the protocols supported by the Intel Arria 10 transceiver PCS. For more information about the blocks in the transmitter and receiver data paths, refer to the related information.

| Protocol                                     | Data Rate (Gbps) | Transceiver IP              | PCS Support                    |
|--|------------------|-----------------------------|--------------------------------|
| PCIe Gen3 x1, x2, x4, x8                     | 8.0              | Native PHY (PIPE)           | Standard PCS and PCIe Gen3 PCS |
| PCIe Gen2 x1, x2, x4, x8                     | 5.0              | Native PHY (PIPE)           | Standard PCS                   |
| PCIe Gen1 x1, x2, x4, x8                     | 2.5              | Native PHY (PIPE)           | Standard PCS                   |
| 1000BASE-X Gigabit Ethernet                  | 1.25             | Native PHY                  | Standard PCS                   |
| 1000BASE-X Gigabit Ethernet with IEEE 1588v2 | 1.25             | Native PHY                  | Standard PCS                   |
| 10GBASE-R                                    | 10.3125          | Native PHY                  | Enhanced PCS                   |
| 10GBASE-R with IEEE 1588v2                   | 10.3125          | Native PHY                  | Enhanced PCS                   |
| 10GBASE-R with KR FEC                        | 10.3125          | Native PHY                  | Enhanced PCS                   |
| 10GBASE-KR and 1000BASE-X                    | 10.3125          | 1G/10GbE and 10GBASE-KR PHY | Standard PCS and Enhanced PCS  |
| Interlaken (CEI-6G/11G)                      | 3.125 to 17.4    | Native PHY                  | Enhanced PCS                   |
| SFI-S/SFI-5.2                                | 11.2             | Native PHY                  | Enhanced PCS                   |
| 10G SDI                                      | 10.692           | Native PHY                  | Enhanced PCS                   |
| <i>continued...</i>                          |                  |                             |                                |





| Protocol             | Data Rate (Gbps)              | Transceiver IP | PCS Support  |
|----------------------|-------------------------------|----------------|--------------|
| CPRI 6.0 (64B/66B)   | 0.6144 to 10.1376             | Native PHY     | Enhanced PCS |
| CPRI 4.2 (8B/10B)    | 0.6144 to 9.8304              | Native PHY     | Standard PCS |
| OBSAI RP3 v4.2       | 0.6144 to 6.144               | Native PHY     | Standard PCS |
| SD-SDI/HD-SDI/3G-SDI | 0.143 <sup>(12)</sup> to 2.97 | Native PHY     | Standard PCS |

### Related Information

#### [Intel Arria 10 Transceiver PHY User Guide](#)

Provides more information about the supported transceiver protocols and PHY IP, the PMA architecture, and the standard, enhanced, and PCIe Gen3 PCS architecture.

## SoC with Hard Processor System

Each SoC device combines an FPGA fabric and a hard processor system (HPS) in a single device. This combination delivers the flexibility of programmable logic with the power and cost savings of hard IP in these ways:

- Reduces board space, system power, and bill of materials cost by eliminating a discrete embedded processor
- Allows you to differentiate the end product in both hardware and software, and to support virtually any interface standard
- Extends the product life and revenue through in-field hardware and software updates

---

<sup>(12)</sup> The 0.143 Gbps data rate is supported using oversampling of user logic that you must implement in the FPGA fabric.



**Figure 9. HPS Block Diagram**

This figure shows a block diagram of the HPS with the dual ARM Cortex-A9 MPCore processor.



**Key Advantages of 20-nm HPS**

The 20-nm HPS strikes a balance between enabling maximum software compatibility with 28-nm SoCs while still improving upon the 28-nm HPS architecture. These improvements address the requirements of the next generation target markets such as wireless and wireline communications, compute and storage equipment, broadcast and military in terms of performance, memory bandwidth, connectivity via backplane and security.


**Table 24. Improvements in 20 nm HPS**

This table lists the key improvements of the 20 nm HPS compared to the 28 nm HPS.

| Advantages/<br>Improvements                           | Description  |
|---|--|
| Increased performance and overdrive capability        | While the nominal processor frequency is 1.2 GHz, the 20 nm HPS offers an “overdrive” feature which enables a higher processor operating frequency. This requires a higher supply voltage value that is unique to the HPS and may require a separate regulator.  |
| Increased processor memory bandwidth and DDR4 support | Up to 64-bit DDR4 memory at 2,400 Mbps support is available for the processor. The hard memory controller for the HPS comprises a multi-port front end that manages connections to a single port memory controller. The multi-port front end allows logic core and the HPS to share ports and thereby the available bandwidth of the memory controller.  |
| Flexible I/O sharing                                  | <p>An advanced I/O pin muxing scheme allows improved sharing of I/O between the HPS and the core logic. The following types of I/O are available for SoC:</p> <ul style="list-style-type: none"> <li>• 17 dedicated I/Os—physically located inside the HPS block and are not accessible to logic within the core. The 17 dedicated I/Os are used for HPS clock, resets, and interfacing with boot devices, QSPI, and SD/MMC.</li> <li>• 48 direct shared I/O—located closest to the HPS block and are ideal for high speed HPS peripherals such as EMAC, USB, and others. There is one bank of 48 I/Os that supports direct sharing where the 48 I/Os can be shared 12 I/Os at a time.</li> <li>• Standard (shared) I/O—all standard I/Os can be shared by the HPS peripherals and any logic within the core. For designs where more than 48 I/Os are required to fully use all the peripherals in the HPS, these I/Os can be connected through the core logic.</li> </ul> |
| EMAC core   | Three EMAC cores are available in the HPS. The EMAC cores enable an application to support two redundant Ethernet connections; for example, backplane, or two EMAC cores for managing IEEE 1588 time stamp information while allowing a third EMAC core for debug and configuration. All three EMACs can potentially share the same time stamps, simplifying the 1588 time stamping implementation. A new serial time stamp interface allows core logic to access and read the time stamp values. The integrated EMAC controllers can be connected to external Ethernet PHY through the provided MDIO or I <sup>2</sup> C interface.   |
| On-chip memory  | The on-chip memory is updated to 256 KB support and can support larger data sets and real time algorithms.   |
| ECC enhancements                                      | Improvements in L2 Cache ECC management allow identification of errors down to the address level. ECC enhancements also enable improved error injection and status reporting via the introduction of new memory mapped access to syndrome and data signals.  |
| HPS to FPGA Interconnect Backbone                     | Although the HPS and the Logic Core can operate independently, they are tightly coupled via a high-bandwidth system interconnect built from high-performance ARM AMBA AXI bus bridges. IP bus masters in the FPGA fabric have access to HPS bus slaves via the FPGA-to-HPS interconnect. Similarly, HPS bus masters have access to bus slaves in the core fabric via the HPS-to-FPGA bridge. Both bridges are AMBA AXI-3 compliant and support simultaneous read and write transactions. Up to three masters within the core fabric can share the HPS SDRAM controller with the processor. Additionally, the processor can be used to configure the core fabric under program control via a dedicated 32-bit configuration port.   |
| FPGA configuration and HPS booting                    | <p>The FPGA fabric and HPS in the SoCs are powered independently. You can reduce the clock frequencies or gate the clocks to reduce dynamic power.</p> <p>You can configure the FPGA fabric and boot the HPS independently, in any order, providing you with more design flexibility.</p>  |
| Security  | New security features have been introduced for anti-tamper management, secure boot, encryption (AES), and authentication (SHA).  |



## Features of the HPS

The HPS has the following features:

- 1.2-GHz, dual-core ARM Cortex-A9 MPCore processor with up to 1.5-GHz via overdrive
  - ARMv7-A architecture that runs 32-bit ARM instructions, 16-bit and 32-bit Thumb instructions, and 8-bit Java byte codes in Jazelle style
  - Superscalar, variable length, out-of-order pipeline with dynamic branch prediction
  - Instruction Efficiency 2.5 MIPS/MHz, which provides total performance of 7500 MIPS at 1.5 GHz
- Each processor core includes:
  - 32 KB of L1 instruction cache, 32 KB of L1 data cache
  - Single- and double-precision floating-point unit and NEON media engine
  - CoreSight debug and trace technology
  - Snoop Control Unit (SCU) and Acceleration Coherency Port (ACP)
- 512 KB of shared L2 cache
- 256 KB of scratch RAM
- Hard memory controller with support for DDR3, DDR4 and optional error correction code (ECC) support
- Multiport Front End (MPFE) Scheduler interface to the hard memory controller
- 8-channel direct memory access (DMA) controller
- QSPI flash controller with SIO, DIO, QIO SPI Flash support
- NAND flash controller (ONFI 1.0 or later) with DMA and ECC support, updated to support 8 and 16-bit Flash devices and new command DMA to offload CPU for fast power down recovery
- Updated SD/SDIO/MMC controller to eMMC 4.5 with DMA with CE-ATA digital command support
- 3 10/100/1000 Ethernet media access control (MAC) with DMA
- 2 USB On-the-Go (OTG) controllers with DMA
- 5 I<sup>2</sup>C controllers (3 can be used by EMAC for MIO to external PHY)
- 2 UART 16550 Compatible controllers
- 4 serial peripheral interfaces (SPI) (2 Master, 2 Slaves)
- 62 programmable general-purpose I/Os, which includes 48 direct share I/Os that allows the HPS peripherals to connect directly to the FPGA I/Os
- 7 general-purpose timers
- 4 watchdog timers
- Anti-tamper, Secure Boot, Encryption (AES) and Authentication (SHA)



## System Peripherals and Debug Access Port

Each Ethernet MAC, USB OTG, NAND flash controller, and SD/MMC controller module has an integrated DMA controller. For modules without an integrated DMA controller, an additional DMA controller module provides up to eight channels of high-bandwidth data transfers. Peripherals that communicate off-chip are multiplexed with other peripherals at the HPS pin level. This allows you to choose which peripherals interface with other devices on your PCB.

The debug access port provides interfaces to industry standard JTAG debug probes and supports ARM CoreSight debug and core traces to facilitate software development.

## HPS-FPGA AXI Bridges

The HPS-FPGA bridges, which support the Advanced Microcontroller Bus Architecture (AMBA) Advanced eXtensible Interface (AXI™) specifications, consist of the following bridges:

- FPGA-to-HPS AMBA AXI bridge—a high-performance bus supporting 32, 64, and 128 bit data widths that allows the FPGA fabric to issue transactions to slaves in the HPS.
- HPS-to-FPGA Avalon/AMBA AXI bridge—a high-performance bus supporting 32, 64, and 128 bit data widths that allows the HPS to issue transactions to slaves in the FPGA fabric.
- Lightweight HPS-to-FPGA AXI bridge—a lower latency 32 bit width bus that allows the HPS to issue transactions to soft peripherals in the FPGA fabric. This bridge is primarily used for control and status register (CSR) accesses to peripherals in the FPGA fabric.

The HPS-FPGA AXI bridges allow masters in the FPGA fabric to communicate with slaves in the HPS logic, and vice versa. For example, the HPS-to-FPGA AXI bridge allows you to share memories instantiated in the FPGA fabric with one or both microprocessors in the HPS, while the FPGA-to-HPS AXI bridge allows logic in the FPGA fabric to access the memory and peripherals in the HPS.

Each HPS-FPGA bridge also provides asynchronous clock crossing for data transferred between the FPGA fabric and the HPS.

## HPS SDRAM Controller Subsystem

The HPS SDRAM controller subsystem contains a multiport SDRAM controller and DDR PHY that are shared between the FPGA fabric (through the FPGA-to-HPS SDRAM interface), the level 2 (L2) cache, and the level 3 (L3) system interconnect. The FPGA-to-HPS SDRAM interface supports AMBA AXI and Avalon® Memory-Mapped (Avalon-MM) interface standards, and provides up to six individual ports for access by masters implemented in the FPGA fabric.

The HPS SDRAM controller supports up to 3 masters (command ports), 3x 64-bit read data ports and 3x 64-bit write data ports.

To maximize memory performance, the SDRAM controller subsystem supports command and data reordering, deficit round-robin arbitration with aging, and high-priority bypass features.



## FPGA Configuration and HPS Booting

The FPGA fabric and HPS in the SoC FPGA must be powered at the same time. You can reduce the clock frequencies or gate the clocks to reduce dynamic power.

Once powered, the FPGA fabric and HPS can be configured independently thus providing you with more design flexibility:

- You can boot the HPS independently. After the HPS is running, the HPS can fully or partially reconfigure the FPGA fabric at any time under software control. The HPS can also configure other FPGAs on the board through the FPGA configuration controller.
- Configure the FPGA fabric first, and then boot the HPS from memory accessible to the FPGA fabric.

## Hardware and Software Development

For hardware development, you can configure the HPS and connect your soft logic in the FPGA fabric to the HPS interfaces using the Platform Designer system integration tool in the Intel Quartus Prime software.

For software development, the ARM-based SoC FPGA devices inherit the rich software development ecosystem available for the ARM Cortex-A9 MPCore processor. The software development process for Intel SoC FPGAs follows the same steps as those for other SoC devices from other manufacturers. Support for Linux\*, VxWorks\*, and other operating systems are available for the SoC FPGAs. For more information on the operating systems support availability, contact the Intel FPGA sales team.

You can begin device-specific firmware and software development on the Intel SoC FPGA Virtual Target. The Virtual Target is a fast PC-based functional simulation of a target development system—a model of a complete development board. The Virtual Target enables the development of device-specific production software that can run unmodified on actual hardware.

## Dynamic and Partial Reconfiguration

The Intel Arria 10 devices support dynamic and partial reconfiguration. You can use dynamic and partial reconfiguration simultaneously to enable seamless reconfiguration of both the device core and transceivers.

### Dynamic Reconfiguration

You can reconfigure the PMA and PCS blocks while the device continues to operate. This feature allows you to change the data rates, protocol, and analog settings of a channel in a transceiver bank without affecting on-going data transfer in other transceiver banks. This feature is ideal for applications that require dynamic multiprotocol or multirate support.

### Partial Reconfiguration

Using partial reconfiguration, you can reconfigure some parts of the device while keeping the device in operation.



Instead of placing all device functions in the FPGA fabric, you can store some functions that do not run simultaneously in external memory and load them only when required. This capability increases the effective logic density of the device, and lowers cost and power consumption.

In the Intel solution, you do not have to worry about intricate device architecture to perform a partial reconfiguration. The partial reconfiguration capability is built into the Intel Quartus Prime design software, making such time-intensive task simple.

Intel Arria 10 devices support partial reconfiguration in the following configuration options:

- Using an internal host:
  - All supported configuration modes where the FPGA has access to external memory devices such as serial and parallel flash memory.
  - Configuration via Protocol [CvP (PCIe)]
- Using an external host—passive serial (PS), fast passive parallel (FPP) x8, FPP x16, and FPP x32 I/O interface.

## Enhanced Configuration and Configuration via Protocol

**Table 25. Configuration Schemes and Features of Intel Arria 10 Devices**

Intel Arria 10 devices support 1.8 V programming voltage and several configuration schemes.

| Scheme   | Data Width    | Max Clock Rate (MHz) | Max Data Rate (Mbps) <sup>(13)</sup> | Decompression | Design Security <sup>(14)</sup> | Partial Reconfiguration <sup>(15)</sup> | Remote System Update                |
|--|---------------|----------------------|--------------------------------------|---------------|---------------------------------|---|-------------------------------------|
| JTAG   | 1 bit         | 33                   | 33                                   | —             | —                               | Yes <sup>(16)</sup>                     | —                                   |
| Active Serial (AS) through the EPCQ-L configuration device   | 1 bit, 4 bits | 100                  | 400                                  | Yes           | Yes                             | Yes <sup>(16)</sup>                     | Yes                                 |
| Passive serial (PS) through CPLD or external microcontroller | 1 bit         | 100                  | 100                                  | Yes           | Yes                             | Yes <sup>(16)</sup>                     | Parallel Flash Loader (PFL) IP core |

*continued...*

<sup>(13)</sup> Enabling either compression or design security features affects the maximum data rate. Refer to the Intel Arria 10 Device Datasheet for more information.

<sup>(14)</sup> Encryption and compression cannot be used simultaneously.

<sup>(15)</sup> Partial reconfiguration is an advanced feature of the device family. If you are interested in using partial reconfiguration, contact Intel for support.

<sup>(16)</sup> Partial configuration can be performed only when it is configured as internal host.



| Scheme   | Data Width           | Max Clock Rate (MHz) | Max Data Rate (Mbps) <sup>(13)</sup> | Decompression | Design Security <sup>(14)</sup> | Partial Reconfiguration <sup>(15)</sup> | Remote System Update |
|--|----------------------|----------------------|--------------------------------------|---------------|---------------------------------|---|----------------------|
| Fast passive parallel (FPP) through CPLD or external microcontroller | 8 bits               | 100                  | 3200                                 | Yes           | Yes                             | Yes <sup>(17)</sup>                     | PFL IP core          |
|  | 16 bits              |                      |                                      | Yes           | Yes                             |   |                      |
|  | 32 bits              |                      |                                      | Yes           | Yes                             |   |                      |
| Configuration via HPS  | 16 bits              | 100                  | 3200                                 | Yes           | Yes                             | Yes <sup>(17)</sup>                     | —                    |
|  | 32 bits              |                      |                                      | Yes           | Yes                             |   |                      |
| Configuration via Protocol [CvP (PCIe*)]                             | x1, x2, x4, x8 lanes | —                    | 8000                                 | Yes           | Yes                             | Yes <sup>(16)</sup>                     | —                    |

You can configure Intel Arria 10 devices through PCIe using Configuration via Protocol (CvP). The Intel Arria 10 CvP implementation conforms to the PCIe 100 ms power-up-to-active time requirement.

### Related Information

[Configuration via Protocol \(CvP\) Implementation in Intel FPGAs User Guide](#)

Provides more information about the CvP configuration scheme.

## SEU Error Detection and Correction

Intel Arria 10 devices offer robust and easy-to-use single-event upset (SEU) error detection and correction circuitry.

The detection and correction circuitry includes protection for Configuration RAM (CRAM) programming bits and user memories. The CRAM is protected by a continuously running CRC error detection circuit with integrated ECC that automatically corrects one or two errors and detects higher order multi-bit errors. When more than two errors occur, correction is available through reloading of the core programming file, providing a complete design refresh while the FPGA continues to operate.

The physical layout of the Intel Arria 10 CRAM array is optimized to make the majority of multi-bit upsets appear as independent single-bit or double-bit errors which are automatically corrected by the integrated CRAM ECC circuitry. In addition to the CRAM protection, the M20K memory blocks also include integrated ECC circuitry and are layout-optimized for error detection and correction. The MLAB does not have ECC.

<sup>(13)</sup> Enabling either compression or design security features affects the maximum data rate. Refer to the Intel Arria 10 Device Datasheet for more information.

<sup>(14)</sup> Encryption and compression cannot be used simultaneously.

<sup>(15)</sup> Partial reconfiguration is an advanced feature of the device family. If you are interested in using partial reconfiguration, contact Intel for support.

<sup>(17)</sup> Supported at a maximum clock rate of 100 MHz.





## Power Management

Intel Arria 10 devices leverage the advanced 20 nm process technology, a low 0.9 V core power supply, an enhanced core architecture, and several optional power reduction techniques to reduce total power consumption by as much as 40% compared to Arria V devices and as much as 60% compared to Stratix V devices.

The optional power reduction techniques in Intel Arria 10 devices include:

- **SmartVID**—a code is programmed into each device during manufacturing that allows a smart regulator to operate the device at lower core  $V_{CC}$  while maintaining performance
- **Programmable Power Technology**—non-critical timing paths are identified by the Intel Quartus Prime software and the logic in these paths is biased for low power instead of high performance
- **Low Static Power Options**—devices are available with either standard static power or low static power while maintaining performance

Furthermore, Intel Arria 10 devices feature Intel's industry-leading low power transceivers and include a number of hard IP blocks that not only reduce logic resources but also deliver substantial power savings compared to soft implementations. In general, hard IP blocks consume up to 90% less power than the equivalent soft logic implementations.

## Incremental Compilation

The Intel Quartus Prime software incremental compilation feature reduces compilation time and helps preserve performance to ease timing closure. The incremental compilation feature enables the partial reconfiguration flow for Intel Arria 10 devices.

Incremental compilation supports top-down, bottom-up, and team-based design flows. This feature facilitates modular, hierarchical, and team-based design flows where different designers compile their respective design sections in parallel. Furthermore, different designers or IP providers can develop and optimize different blocks of the design independently. These blocks can then be imported into the top level project.

## Document Revision History for Intel Arria 10 Device Overview

| Document Version | Changes   |
|------------------|---|
| 2018.12.06       | <ul style="list-style-type: none"> <li>• Added links to Intel Arria 10 device errata documents.</li> <li>• Removed automotive temperature option from the Intel Arria 10 GX devices.</li> <li>• Removed -3 fabric speed grade from the Intel Arria 10 GT devices.</li> <li>• Updated power options for the Intel Arria 10 GX and GT devices.</li> </ul> |
| 2018.04.09       | Updated the lowest $V_{CC}$ from 0.83 V to 0.82 V in the topic listing a summary of the device features.  |



| Date           | Version    | Changes  |
|----------------|------------|--|
| January 2018   | 2018.01.17 | <ul style="list-style-type: none"> <li>Updated the maximum data rate for HPS (Intel Arria 10 SX devices external memory interface DDR3 controller from 2,166 Mbps to 2,133 Mbps.</li> <li>Updated maximum frequency supported for half rate QDRII and QDRII + SRAM to 633 MHz in <i>Memory Standards Supported by the Soft Memory Controller</i> table.</li> <li>Updated transceiver backplane capability to 12.5 Gbps.</li> <li>Removed transceiver speed grade 5 in <i>Sample Ordering Core and Available Options for Intel Arria 10 GX Devices</i> figure.</li> <li>Removed package code 40, low static power, SmartVID, industrial, and military operating temperature support from <i>Sample Ordering Core and Available Options for Intel Arria 10 GT Devices</i> figure.</li> <li>Updated short reach transceiver rate for Intel Arria 10 GT devices to 25.8 Gbps.</li> <li>Removed On-Die Instrumentation — EyeQ and Jitter Margin Tool support from <i>PMA Features of the Transceivers in Intel Arria 10 Devices</i> table.</li> </ul> |
| September 2017 | 2017.09.20 | Updated the maximum speed of the DDR4 external memory interface from 1,333 MHz/2,666 Mbps to 1,200 MHz/2,400 Mbps.   |
| July 2017      | 2017.07.13 | Corrected the automotive temperature range in the figure showing the available options for the Intel Arria 10 GX devices from "-40°C to 100°C" to "-40°C to 125°C".  |
| July 2017      | 2017.07.06 | Added automotive temperature option to Intel Arria 10 GX device family.  |
| May 2017       | 2017.05.08 | <ul style="list-style-type: none"> <li>Corrected protocol names with "1588" to "IEEE 1588v2".</li> <li>Updated the vertical migration table to remove vertical migration between Intel Arria 10 GX and Intel Arria 10 SX device variants.</li> <li>Removed all "Preliminary" marks.</li> </ul>   |
| March 2017     | 2017.03.15 | <ul style="list-style-type: none"> <li>Removed the topic about migration from Intel Arria 10 to Intel Stratix 10 devices.</li> <li>Rebranded as Intel.</li> </ul>  |
| October 2016   | 2016.10.31 | <ul style="list-style-type: none"> <li>Removed package F36 from Intel Arria 10 GX devices.</li> <li>Updated Intel Arria 10 GT sample ordering code and maximum GX transceiver count. Intel Arria 10 GT devices are available only in the SF45 package option with a maximum of 72 transceivers.</li> </ul>   |
| May 2016       | 2016.05.02 | <ul style="list-style-type: none"> <li>Updated the FPGA Configuration and HPS Booting topic.</li> <li>Remove <math>V_{CC}</math> PowerManager from the Summary of Features, Power Management and Arria 10 Device Variants and packages topics. This feature is no longer supported in Arria 10 devices.</li> <li>Removed LPDDR3 from the Memory Standards Supported by the HPS Hard Memory Controller table in the Memory Standards Supported by Intel Arria 10 Devices topic. This standard is only supported by the FPGA.</li> <li>Removed transceiver speed grade 5 from the Device Variants and Packages topic for Arria 10 GX and SX devices.</li> </ul>  |
| February 2016  | 2016.02.11 | <ul style="list-style-type: none"> <li>Changed the maximum Arria 10 GT datarate to 25.8 Gbps and the minimum datarate to 1 Gbps globally.</li> <li>Revised the state for Core clock networks in the Summary of Features topic.</li> <li>Changed the transceiver parameters in the "Summary of Features for Arria 10 Devices" table.</li> <li>Changed the transceiver parameters in the "Maximum Resource Counts for Arria 10 GT Devices" table.</li> <li>Changed the package availability for GT devices in the "Package Plan for Arria 10 GT Devices" table.</li> <li>Changed the package configurations for GT devices in the "Migration Capability Across Arria 10 Product Lines" figure.</li> </ul>  |

*continued...*



| Date                | Version    | Changes  |
|---------------------|------------|--|
|                     |            | <ul style="list-style-type: none"> <li>Changed transceiver parameters in the "Low Power Serial Transceivers" section.</li> <li>Changed the transceiver descriptions in the "Device Variants for the Arria 10 Device Family" table.</li> <li>Changed the "Sample Ordering Code and Available Options for Arria 10 GT Devices" figure.</li> <li>Changed the datarates for GT devices in the "PMA Features" section.</li> <li>Changed the datarates for GT devices in the "PCS Features" section.</li> </ul>  |
| December 2015       | 2015.12.14 | <ul style="list-style-type: none"> <li>Updated the number of M20K memory blocks for Arria 10 GX 660 from 2133 to 2131 and corrected the total RAM bit from 48,448 Kb to 48,408 Kb.</li> <li>Corrected the number of DSP blocks for Arria 10 GX 660 from 1688 to 1687 in the table listing floating-point arithmetic resources.</li> </ul>  |
| November 2015       | 2015.11.02 | <ul style="list-style-type: none"> <li>Updated the maximum resources for Arria 10 GX 220, GX 320, GX 480, GX 660, SX 220, SX 320, SX 480, and SX 660.</li> <li>Updated resource count for Arria 10 GX 320, GX 480, GX 660, SX 320, SX 480, a SX 660 devices in <b>Number of Multipliers in Intel Arria 10 Devices</b> table.</li> <li>Updated the available options for Arria 10 GX, GT, and SX.</li> <li>Changed instances of <i>Quartus II</i> to <i>Quartus Prime</i>.</li> </ul>   |
| June 2015           | 2015.06.15 | Corrected label for Intel Arria 10 GT product lines in the vertical migration figure.  |
| May 2015            | 2015.05.15 | Corrected the DDR3 half rate and quarter rate maximum frequencies in the table that lists the memory standards supported by the Intel Arria 10 hard memory controller.   |
| May 2015            | 2015.05.04 | <ul style="list-style-type: none"> <li>Added support for 13.5G JESD204b in the Summary of Features table.</li> <li>Added a link to Arria 10 GT Channel Usage in the Arria 10 GT Package Plan topic.</li> <li>Added a note to the table, Maximum Resource Counts for Arria 10 GT devices.</li> <li>Updated the power requirements of the transceivers in the Low Power Serial Transceivers topic.</li> </ul>  |
| January 2015        | 2015.01.23 | <ul style="list-style-type: none"> <li>Added floating point arithmetic features in the Summary of Features table.</li> <li>Updated the total embedded memory from 38.38 megabits (Mb) to 65.6 Mb.</li> <li>Updated the table that lists the memory standards supported by Intel Arria 10 devices.</li> <li>Removed support for DDR3U, LPDDR3 SDRAM, RLDram 2, and DDR2.</li> <li>Moved RLDram 3 support from hard memory controller to soft memory controller. RLDram 3 support uses hard PHY with soft memory controller.</li> <li>Added soft memory controller support for QDR IV.</li> <li>Updated the maximum resource count table to include the number of hard memory controllers available in each device variant.</li> <li>Updated the transceiver PCS data rate from 12.5 Gbps to 12 Gbps.</li> <li>Updated the max clock rate of PS, FPP x8, FPP x16, and Configuration via HPS from 125 MHz to 100 MHz.</li> <li>Added a feature for fractional synthesis PLLs: PLL cascading.</li> <li>Updated the HPS programmable general-purpose I/Os from 54 to 62.</li> </ul> |
| <b>continued...</b> |            |  |



| Date           | Version    | Changes  |
|----------------|------------|--|
| September 2014 | 2014.09.30 | <ul style="list-style-type: none"> <li>Corrected the 3 V I/O and LVDS I/O counts for F35 and F36 packages of Arria 10 GX.</li> <li>Corrected the 3 V I/O, LVDS I/O, and transceiver counts for the NF40 package of the Arria GX 570 and 660.</li> <li>Removed 3 V I/O, LVDS I/O, and transceiver counts for the NF40 package of the Arria GX 900 and 1150. The NF40 package is not available for Arria 10 GX 900 and 1150.</li> </ul>  |
| August 2014    | 2014.08.18 | <ul style="list-style-type: none"> <li>Updated Memory (Kb) M20K maximum resources for Arria 10 GX 660 devices from 42,660 to 42,620.</li> <li>Added GPIO columns consisting of LVDS I/O Bank and 3V I/O Bank in the Package Plan table.</li> <li>Added how to use memory interface clock frequency higher than 533 MHz in the I/O vertical migration.</li> <li>Added information to clarify that RLDRAM3 support uses hard PHY with soft memory controller.</li> <li>Added variable precision DSP blocks support for floating-point arithmetic.</li> </ul> |
| June 2014      | 2014.06.19 | Updated number of dedicated I/Os in the HPS block to 17.   |
| February 2014  | 2014.02.21 | Updated transceiver speed grade options for GT devices in Figure 2.  |
| February 2014  | 2014.02.06 | Updated data rate for Arria 10 GT devices from 28.1 Gbps to 28.3 Gbps.   |
| December 2013  | 2013.12.10 | <ul style="list-style-type: none"> <li>Updated the HPS memory standards support from LPDDR2 to LPDDR3.</li> <li>Updated HPS block diagram to include dedicated HPS I/O and FPGA Configuration blocks as well as repositioned SD/SDIO/MMC, DMA, SPI and NAND Flash with ECC blocks .</li> </ul>   |
| December 2013  | 2013.12.02 | Initial release.   |



## OUR CERTIFICATE

A long-term cooperative relationship can be built between global customers and us by providing excellent products



|                      |   |
|----------------------|---|
| Business Type        | Trading Company, Distributor/Wholesaler       |
| Main Products        | Electronic Integrated Circuit                 |
| Certifications       | ISO9001                                       |
| Total Annual Revenue | US\$2.5 Million - US\$5 Million               |
| Country / Region     | Hongkong, China                               |
| Total Employees      | 100 - 200 People                              |
| Year Established     | 2018  |
| Main Markets         | North America<br>South Asia<br>Western Europe |



[sales@fpgamall.com](mailto:sales@fpgamall.com)



+00852-56428680